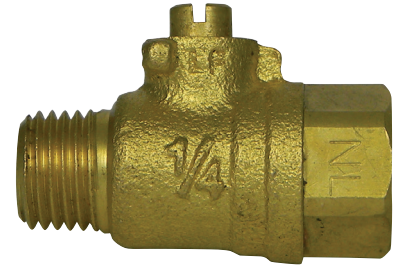


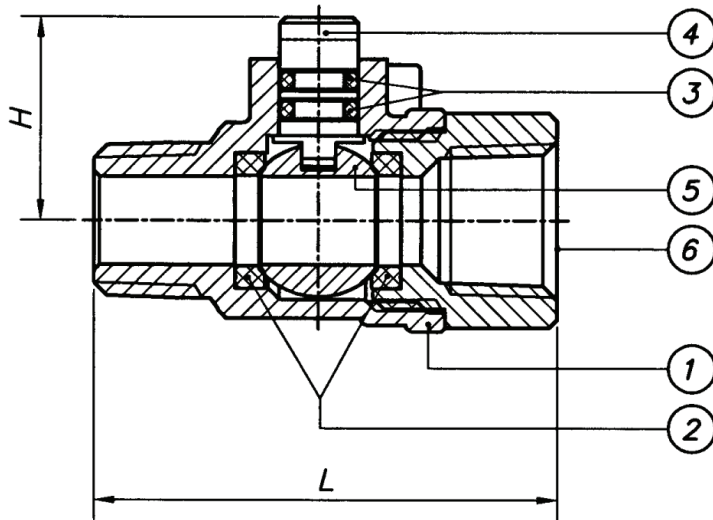
SUBMITTAL DATA SHEET

No-Lead Low Pressure Valves
Test Cock - 72030TC

MNPT x FNPT



A.Y. McDonald Mfg. Co. No-Lead Low Pressure Valves are constructed from heavy duty no-lead bronze and are recommended for residential and commercial applications and positive shut-off with various inlet configurations.



Dimensions

Size	H	L
1/4"	0.71	1.61
1/8" x 1/4"	0.71	1.61

Materials

No.	Part	Material
1	Body	No-Lead Brass
2	Ball Packing	Teflon
3	O-ring	Rubber
4	Stem	No-Lead Brass
5	Ball	No-Lead Brass
6	Bonnet	No-Lead Brass

SUBMITTAL INFORMATION

- Pressure Rating 400 WOG
- Available Sizes: 1/4" and 1/8" x 1/4"
- Temperature Rating 180°F

NO-LEAD: The weighted average of the wetted surface of this no-lead product contacted by consumable water contains less than one quarter of one percent (0.25%) lead.



A.Y. McDonald Mfg. Co.
4800 Chavenelle Rd
Dubuque, IA 52002

Toll Free: 1-800-292-2737
sales@aymcdonald.com
aymcdonald.com

A.Y. McDonald considers the information on this assembly drawing correct when published. Item and option availability, including specifications, are subject to change without notice.

Submitted by: