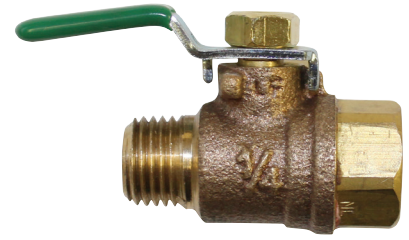


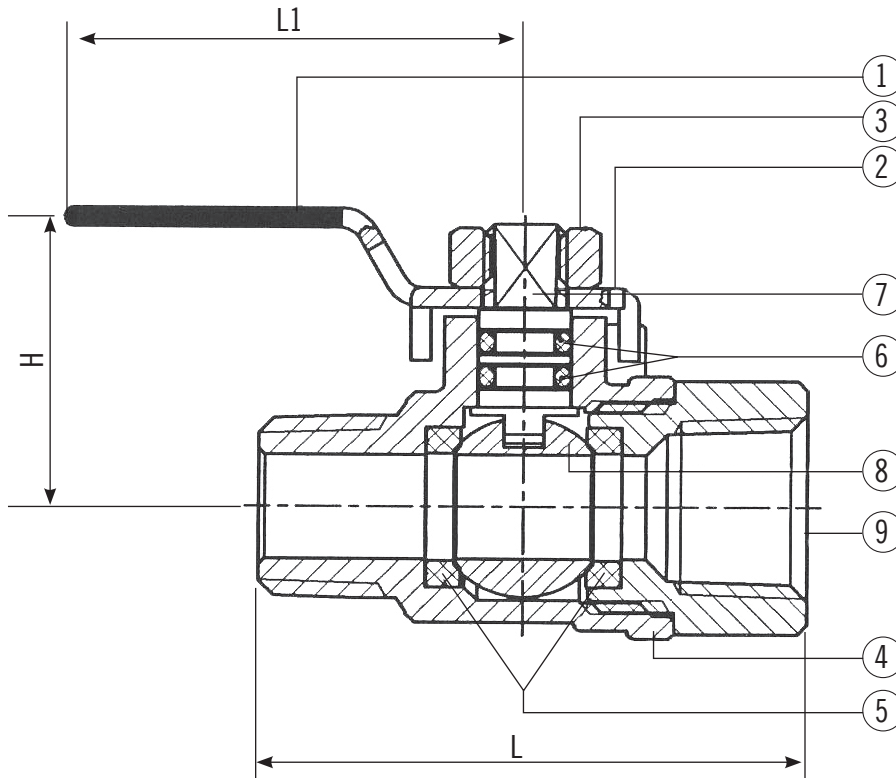
# SUBMITTAL DATA SHEET

No-Lead Low Pressure Valves  
Test Cock with Lever Handle - 72030TCL

MNPT x FNPT



A.Y. McDonald Mfg. Co. No-Lead Low Pressure Valves are constructed from heavy duty no-lead bronze and are recommended for residential and commercial applications and positive shut-off with various inlet configurations.



## Dimensions

Size	H	L	L1
1/4"	0.89	1.61	1.36

## Materials

No.	Part	Material
1	Handle Cover	Plastic
2	Lever Handle	Hot Rolled
3	Handle Nut	Hot Rolled
4	Body	No-Lead Brass
5	Ball Packing	Teflon
6	O-Ring	Rubber
7	Stem	No-Lead Brass
8	Ball	No-Lead Brass
9	Bonnet	No-Lead Brass

## SUBMITTAL INFORMATION

- Pressure Rating: 400 WOG
- Available Size: 1/4"
- Temperature Rating: 180°F

NO-LEAD: The weighted average of the wetted surface of this no-lead product contacted by consumable water contains less than one quarter of one percent (0.25%) lead.



**A.Y. McDonald Mfg. Co.**  
4800 Chavenelle Rd  
Dubuque, IA 52002

**Toll Free: 1-800-292-2737**  
sales@aymcdonald.com  
aymcdonald.com

A.Y. McDonald considers the information on this assembly drawing correct when published. Item and option availability, including specifications, are subject to change without notice.

**Submitted by:**