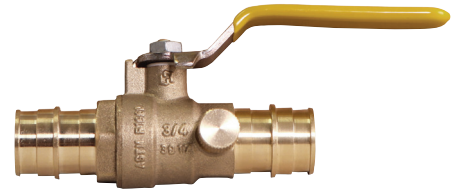


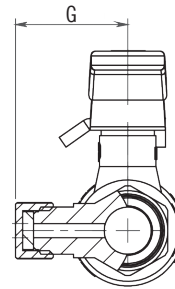
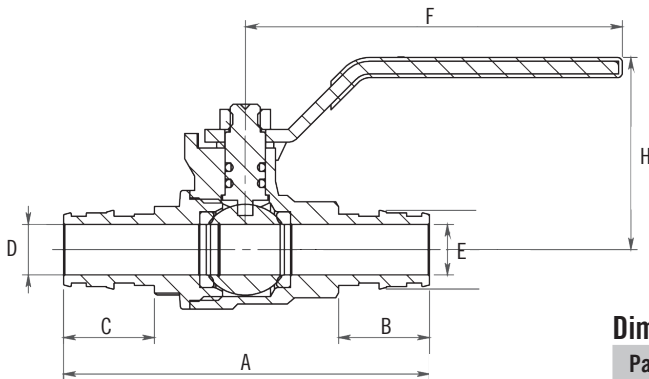
SUBMITTAL DATA SHEET

No-Lead Ball Valves Full Port Ball Valves with Drain - 72033EXP

Expansion Pex x Expansion Pex

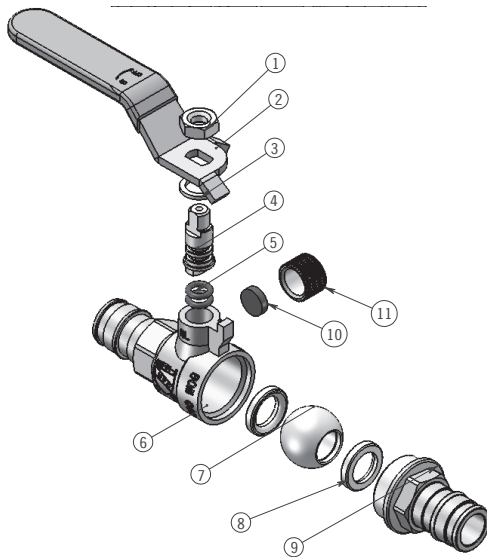


A.Y. McDonald Mfg. Co. No-Lead Ball Valves are constructed from heavy duty no-lead brass and are designed for use with potable water in commercial, industrial, and residential applications. Full Port valves allow for maximum flow with minimum pressure drop.



Dimensions

Part No.	Model No.	Size	A	B	C	D	E	F	G	H	Weight
5427-187	72033EXP	1/2"	2.85	0.71	0.71	0.39	0.39	2.95	0.94	1.50	0.32
5427-188	72033EXP	3/4"	3.48	0.94	0.94	0.53	0.60	3.17	1.02	1.57	0.46
5427-189	72033EXP	1"	4.25	1.18	1.18	0.71	0.81	4.17	1.17	1.97	0.83



Materials

No.	Part	Material
1	Hex Nut	Steel
2	Handle	Steel
3	Washer	PTFE
4	Stem	No-Lead Brass
5	O-Ring	EPDM
6	Body	No-Lead Brass
7	Ball	No-Lead Brass
8	Seat	PTFE
9	Bonnet	No-Lead Brass
10	Rubber Gasket	EPDM
11	Plug	Brass

SUBMITTAL INFORMATION

- Available Sizes: 1/2" - 1"
- Double O-ring packing
- Pex ends conform to ASTM F1960
- Blowout proof stem
- 400 WOG
- NSF/ANSI 61 & NSF/ANSI 372
- NSF/ANSI 14



NO-LEAD: The weighted average of the wetted surface of this no-lead product contacted by consumable water contains less than one quarter of one percent (0.25%) lead.



A.Y. McDonald Mfg. Co.
4800 Chavenelle Rd
Dubuque, IA 52002

Toll Free: 1-800-292-2737
sales@aymcdonald.com
aymcdonald.com

A.Y. McDonald considers the information on this assembly drawing correct when published. Item and option availability, including specifications, are subject to change without notice.

Submitted by: