

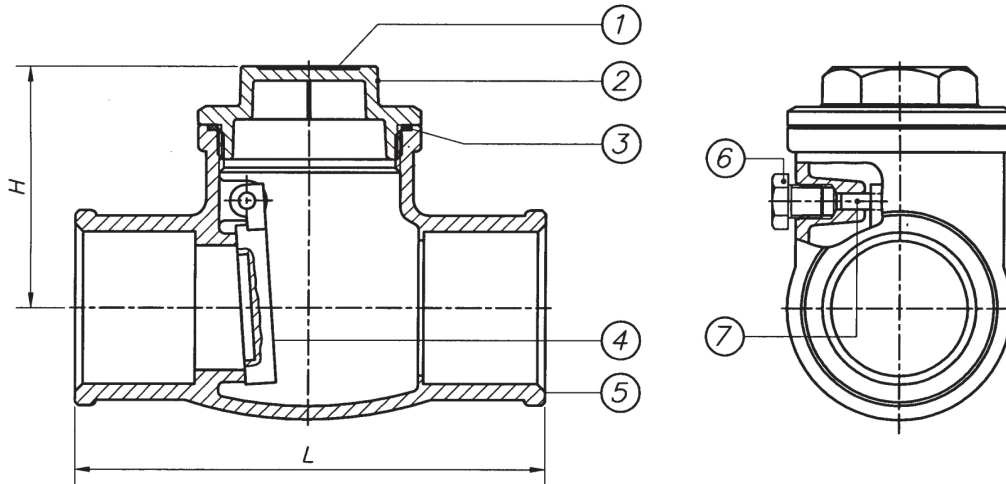
# SUBMITTAL DATA SHEET

No-Lead Low Pressure Valves  
Swing Check Valve – 72050S

SWT X SWT



A.Y. McDonald Mfg. Co. No-Lead Low Pressure Valves are constructed from heavy duty no-lead brass and are recommended for residential and commercial applications and positive shut-off with various inlet configurations.



## Dimensions

Size	H	L
1/2"	1.40	2.40
3/4"	1.52	3.15
1"	1.73	3.50
1 1/4"	2.07	4.15
1 1/2"	2.13	4.57
2"	2.68	5.47

## Materials

No.	Part	Material
1	Name Plate	Aluminum
2	Cap/Bonnet	No-Lead Brass (C46400 MOD)
3	Packing	Fiber
4	Disc	No-Lead Brass (C46400 MOD)
5	Body	No-Lead Brass (C46400 MOD)
6	Bolt	No-Lead Brass
7	Pin	No-Lead Brass

## SUBMITTAL INFORMATION

- 200 WOG
- Available Sizes: 1/2", 3/4", 1", 1 1/4", 1 1/2", and 2"
- Solder ends conform to ANSI B16.18
- NSF/ANSI 372
- AB 1953
- Metal to metal seat
- Directional
- **Not for wastewater use**

NO-LEAD: The weighted average of the wetted surface of this no-lead product contacted by consumable water contains less than one quarter of one percent (0.25%) lead.



A.Y. McDonald Mfg. Co.  
4800 Chavenelle Rd  
Dubuque, IA 52002

Toll Free: 1-800-292-2737  
sales@aymcdonald.com  
aymcdonald.com

A.Y. McDonald considers the information on this assembly drawing correct when published. Item and option availability, including specifications, are subject to change without notice.

Submitted by: