

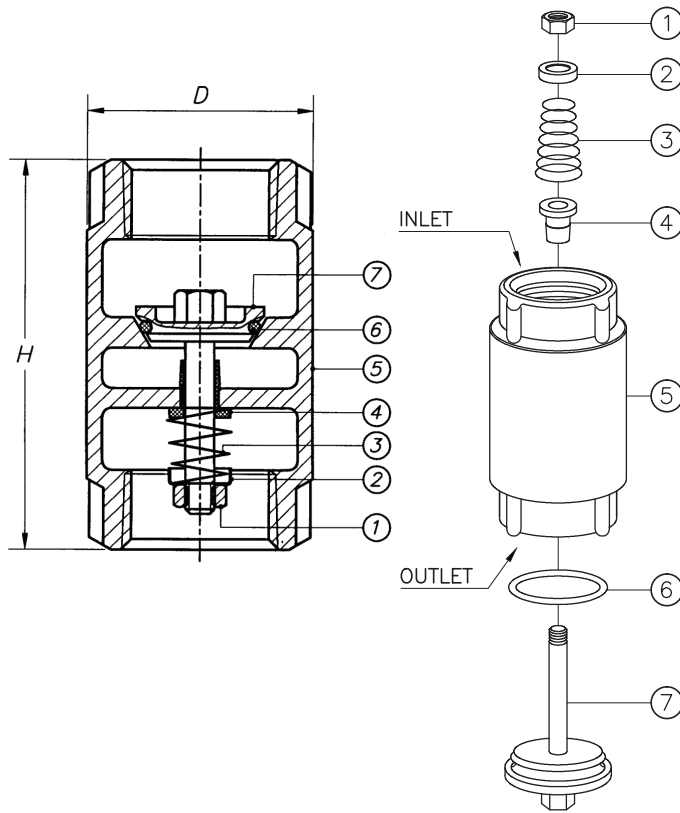
SUBMITTAL DATA SHEET

No-Lead Low Pressure Valves Bronze In-Line Check Valve – 72057T

FNPT X FNPT



A.Y. McDonald Mfg. Co. No-Lead Low Pressure Valves are constructed from heavy duty no-lead bronze and are recommended for residential and commercial applications and positive shut-off with various inlet configurations.



Dimensions

Part No.	Model No.	Size	D	H	Flow Rate GPM	Pressure Test PSI	Pressure Drop PSI	C ^V
5421-358	72057T	1/2"	1.26	2.40	13.6	25	5	5.27
5421-359	72057T	3/4"	1.50	2.74	25.1	25	5	9.71
5421-360	72057T	1"	1.77	3.23	42.4	25	5	16.42
5421-361	72057T	1 1/4"	2.13	3.62	74.7	25	5	28.93
5421-362	72057T	1 1/2"	2.36	4.04	83	25	10	32.15
5421-363	72057T	2"	3.03	5.04	110.3	25	10	42.72
5421-364	72057T	3"	4.21	7.28	315.6	25	10	122.23

Materials

No.	Part	Material
1	Stem Nut	Stainless-Steel (304)
2	Spring Holder	Stainless-Steel (304)
3	Spring	Stainless-Steel (304)
4	Stem House	Formocon
5	Body	No-Lead Bronze (C89844 MOD)
6	O-ring	Rubber (NBR)
7	Stem	No-Lead Bronze (C89844 MOD)

SUBMITTAL INFORMATION

- 200 WOG @ 180°F
- Available Sizes: 1/2" 3/4", 1", 1 1/4", 1 1/2", 2", and 3"
- Spring loaded check
- Directional
- Complies with AB 1953
- **Not for wastewater use**

NO-LEAD: The weighted average of the wetted surface of this no-lead product contacted by consumable water contains less than one quarter of one percent (0.25%) lead.



A.Y. McDonald Mfg. Co.
4800 Chavenelle Rd
Dubuque, IA 52002

Toll Free: 1-800-292-2737
sales@aymcdonald.com
aymcdonald.com

A.Y. McDonald considers the information on this assembly drawing correct when published. Item and option availability, including specifications, are subject to change without notice.

Submitted by: