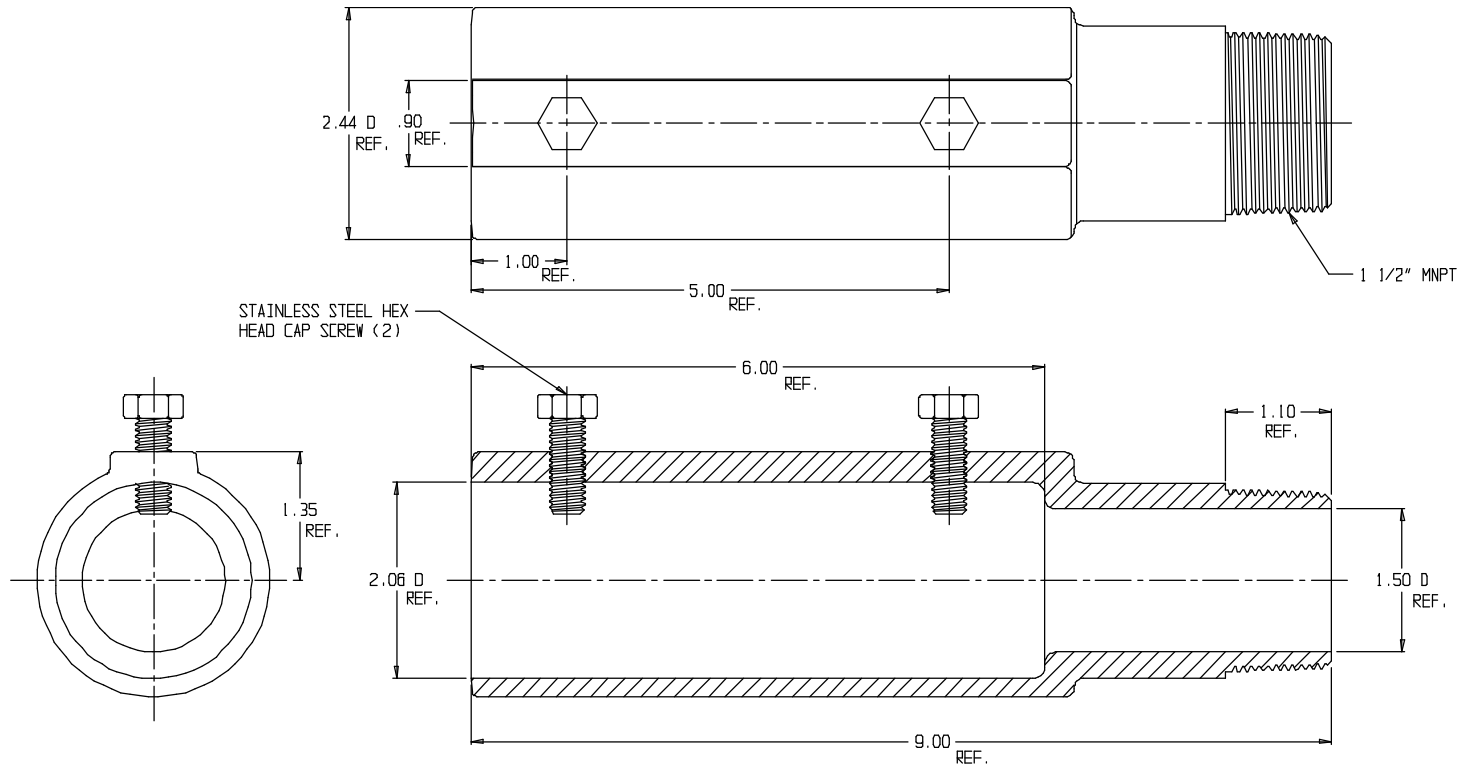


# SUBMITTAL DATA SHEET

## Curb Boxes – 5605TRS

### Curb Box Repair Coupling



## SUBMITTAL INFORMATION

- Lid made of Cast Iron per ASTM A48, Class 25
- Coated with black dip



**A.Y. McDonald Mfg. Co.**  
4800 Chavenelle Rd  
Dubuque, IA 52002

**Toll Free: 1-800-292-2737**  
[sales@aymcdonald.com](mailto:sales@aymcdonald.com)  
[aymcdonald.com](http://aymcdonald.com)

A.Y. McDonald considers the information on this assembly drawing correct when published. Item and option availability, including specifications, are subject to change without notice.

**Submitted by:**