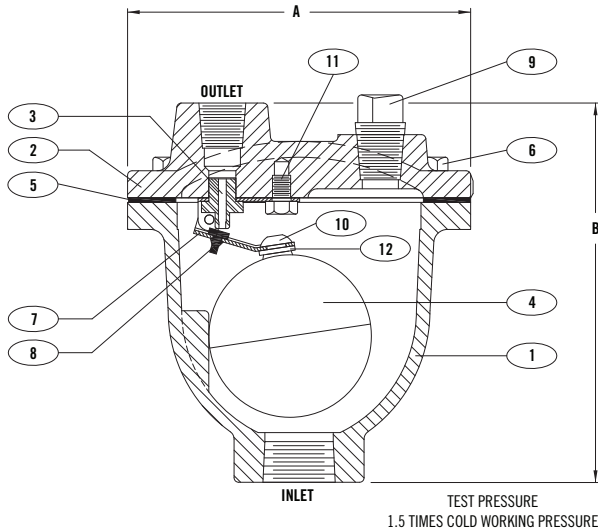


SUBMITTAL DATA SHEET

No-Lead
Air Release Valves - 15A.3
NPT x NPT



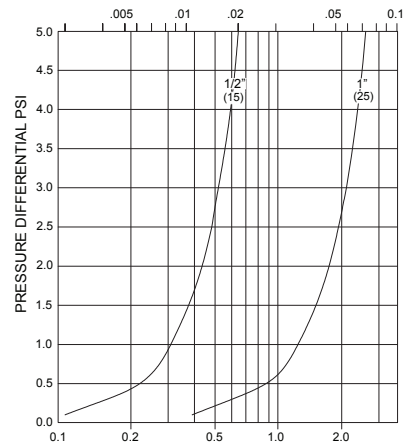
The Val-Matic® Clean Water Air Release Valves sometimes referred to as “small orifice valves,” are often fitted at the highest point on a pipeline to continually release unwanted air during system operation to protect against unwanted surges and maintain system efficiency.



- | | |
|---------------|--------------------|
| 1. Body | 7. Float Arm |
| 2. Cover | 8. Orifice Button |
| 3. Seat | 9. Pipe Plug |
| 4. Float | 10. Float Retainer |
| 5. Gasket | 11. Locator |
| 6. Cover Bolt | 12. Lock Washer |

Venting Capacity of Air Release Valve Orifices

FLOW OF AIR IN STANDARD CUBIC METERS PER MINUTE



FLOW OF AIR THRU AN ORIFICE IN S.C.F.S.
(STANDARD CUBIC FEET OF FREE AIR PER MINUTE)

Materials of Construction

Component	Standard
Body and Cover	Cast Iron ASTM A126 Class B
Float and Trim	Type 316 Stainless-Steel
Seal	Buna-N
Coating	Universal Acrylic Primer (external)

Part No.	Model No.	Inlet Size	Outlet Size	Orifice Size	A	B	WT.
4431-000	15A.3	*1" NPT	1/2" NPT	1/16"	4.75"	5.25"	7 lbs.

*1/2" & 3/4" bushings are included

SUBMITTAL INFORMATION

- Cold working pressure = 175 PSI
- Gallons per minute = 800
- Each valve features 316 stainless-steel trim, full size ports, and ANSI threaded connections
- Unconditionally guaranteed stainless-steel floats
- Resilient seating for positive shutoff
- 1/2" and 3/4" bushings are included
- All Air Valves meet AWWA C512 requirements
- Manufactured under a certified ISO 9001 quality system
- NSF/ANSI 372 Certified Lead-Free
- Certified to NSF/ANSI Standard 61 for Drinking Water System Components



A.Y. McDonald Mfg. Co.
4800 Chavenelle Rd
Dubuque, IA 52002

Toll Free: 1-800-292-2737
sales@aymcdonald.com
aymcdonald.com

A.Y. McDonald considers the information on this assembly drawing correct when published. Item and option availability, including specifications, are subject to change without notice.

Submitted by: