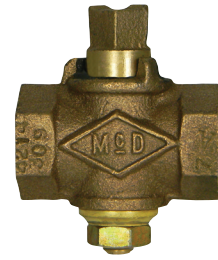


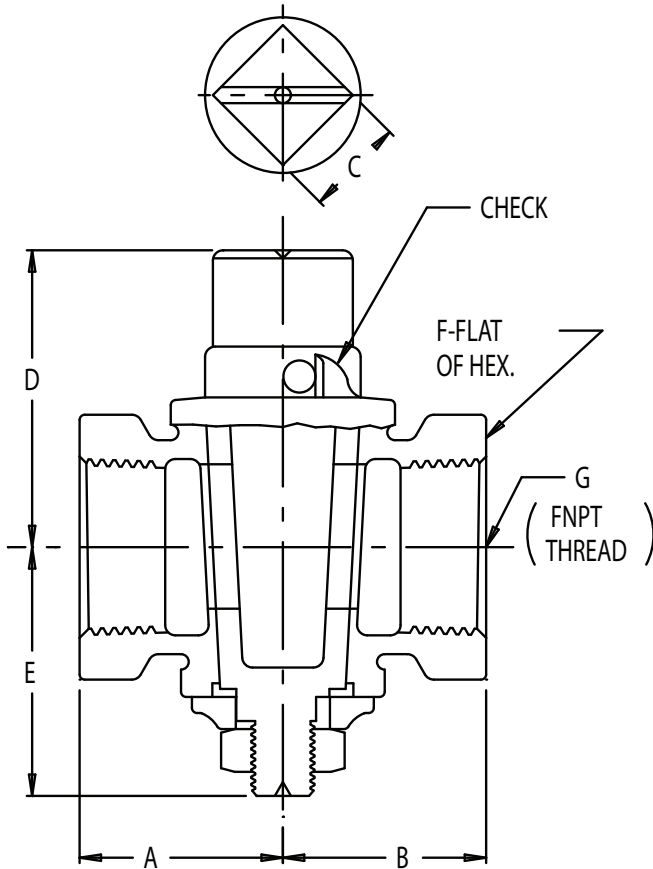
SUBMITTAL DATA SHEET

Brass Low Pressure Gas Valve – Gas Only
Square Head Plug Valve with Top Check – 10554

FNPT x FNPT



A.Y. McDonald Mfg. Co. low pressure natural or propane gas valve for use indoors on house piping system, between the meter outlet and the inlet connection of the gas appliance. At ambient temperatures of 32 to 125 degrees Fahrenheit.



Dimensions

Part No.	Model No.	Size	A	B	C	D	E	F	G
4210-162	10554	1/2"	1.07	1.07	.47	1.45	1.29	1.09	1/2
4210-163	10554	3/4"	1.19	1.19	.58	1.75	1.44	1.34	3/4
4210-164	10554	1"	1.48	1.48	.69	2.14	1.93	1.63	1
4210-165	10554	1 1/4"	1.61	1.61	.78	2.43	2.20	1.94	1 1/4

SUBMITTAL INFORMATION

- Available Sizes: 1/2", 3/4", 1", and 1 1/4"
 - Brass Body and Plug
 - Manually Operated
 - 25 PSIG
- NOTE: All A.Y. McDonald plug style gas valves are factory set.
DO NOT TAMPER WITH BOTTOM NUT.



Non-Potable Use
Only

WARNING: It is unlawful in CALIFORNIA & VERMONT (effective 1/1/2010); MARYLAND (effective 1/1/2012); LOUISIANA (effective 1/1/2013) and the UNITED STATES OF AMERICA (effective 1/4/2014) to use THIS PRODUCT in the installation or repair of any public water system or any plumbing in a facility or system that provides water for human consumption. The wetted surface area of THIS PRODUCT has a weighted average lead content greater than 0.25%.



A.Y. McDonald Mfg. Co.
4800 Chavenelle Rd
Dubuque, IA 52002

Toll Free: 1-800-292-2737
sales@aymcdonald.com
aymcdonald.com

A.Y. McDonald considers the information on this assembly drawing correct when published. Item and option availability, including specifications, are subject to change without notice.

Submitted by: