

SUBMITTAL DATA SHEET

Radiator Valves Steam Angle Radiator Valve – 4431T

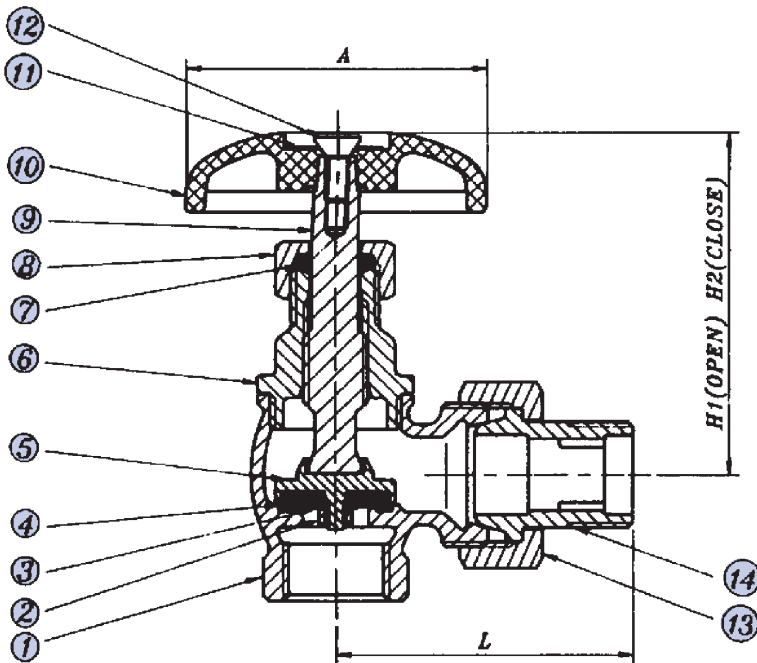
FNPT x MNPT Union



A.Y. McDonald Mfg. Co. Radiator Valves are constructed of heavy duty cast brass and feature a non-rising stem design. They provide positive shut off in steam applications.

Dimensions

Part No.	Model NO.	Size	A	L	H1	H2
4420-053	4431T	1/2"	2.26	2.26	2.96	2.61
4420-054	4431T	3/4"	2.26	2.54	3.16	2.73
4420-055	4431T	1"	2.26	2.85	3.55	2.96
4420-056	4431T	1 1/4"	2.26	3.20	3.98	3.35
4420-057	4431T	1 1/2"	2.26	3.59	4.41	3.55



Materials

No.	Part	Material
1	Body	Brass
2	Nut	Brass
3	Washer	Brass
4	Seat	Buna-N
5	Retainer	Buna-N
6	Bonnet	Brass
7	Packing	Teflon
8	Packing Nut	Brass
9	Stem	Brass
10	Handwheel	Phenolic Resin
11	Nameplate	Aluminum
12	Screw	Brass
13	Union Nut	Brass
14	Tailpiece	Brass

SUBMITTAL INFORMATION

- 15 WSP
- Available Sizes: 1/2" - 1 1/2"
- 60 PSI



Non-Potable Use
Only



A.Y. McDonald Mfg. Co.
4800 Chavenelle Rd
Dubuque, IA 52002

Toll Free: 1-800-292-2737
sales@aymcdonald.com
aymcdonald.com

A.Y. McDonald considers the information on this assembly drawing correct when published. Item and option availability, including specifications, are subject to change without notice.

Submitted by: