

SUBMITTAL DATA SHEET

Full Port Gas (only) Ball Valve with T-Handle – 10710M

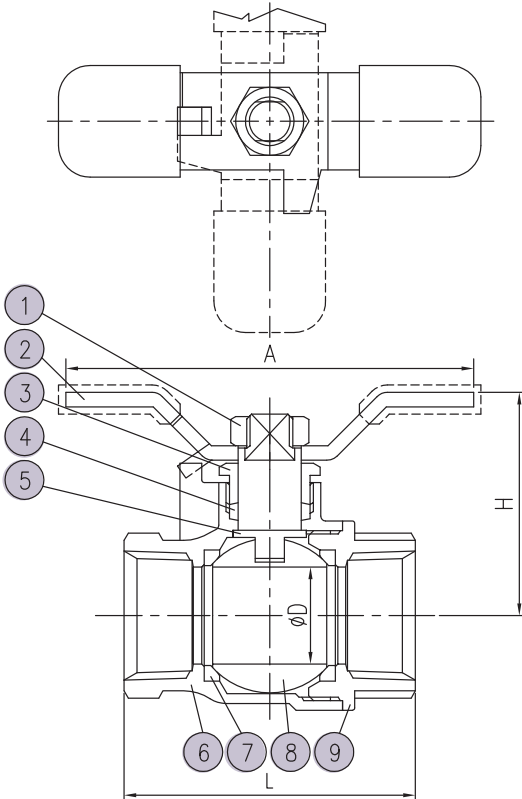
FNPT x FNPT



A.Y. McDonald Mfg. Co. Gas Ball Valves are constructed of heavy duty forged brass. They are designed for residential, commercial, and industrial use in low pressure gas applications. Valves listed are suitable for use with natural, manufactured, mixed and LP gases and with LP gas - air mixtures.

Dimensions

Part No.	Model No.	Size	L	H	D	A
4901-151	10710M	1 1/4"	3.31	2.60	1.26	5.27
4901-152	10710M	1 1/2"	3.62	2.76	1.50	5.27
4901-153	10710M	2"	4.33	3.47	1.97	7.87

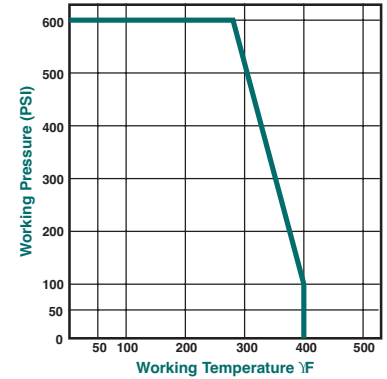


Materials

No.	Part	Material
1	Nut	Steel
2	Handle	Steel
3	Stem Gland Screw	Brass
4	Stem Packing	Teflon
5	Stem	Brass
6	Body 1 1/4" - 1 1/2" 2"	Forged Brass Cast Brass
7	Ball Disc Packing	Teflon
8	Ball	Chrome Plated Brass
9	End Plug	Forged Brass

TEMPERATURE / PRESSURE RATING

1 1/4", 1 1/2", 2" ONLY



Non-Potable Use Only

SUBMITTAL INFORMATION

- 150 WSP
- 600 WOG
- Available Sizes: 1 1/4", 1 1/2", 2"
- Ambient working temp. = -40°F to 125°F (1 1/4" & 1 1/2")
- Ambient working temp. = .32°F to 125°F (2")
- Quarter turn operation
- 2-piece forged brass body
- Blowout proof stem
- Conforms to MSS-SP-110
- Teflon Seats

Certified to:



B16.44
5 PSIG



ANSI

Z21.15
1/2 PSIG



A.Y. McDonald Mfg. Co.
4800 Chavenelle Rd
Dubuque, IA 52002

Toll Free: 1-800-292-2737
sales@aymcdonald.com
aymcdonald.com

A.Y. McDonald considers the information on this assembly drawing correct when published. Item and option availability, including specifications, are subject to change without notice.

Submitted by: