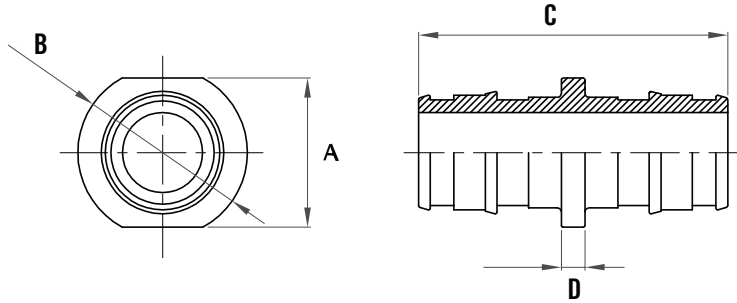


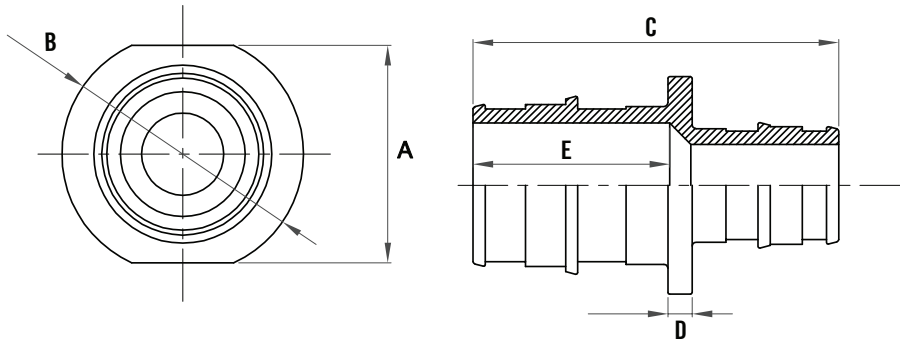
SUBMITTAL DATA SHEET

Expansion Pex Poly Coupling - No-Lead
2400EX

Expansion Pex x Expansion Pex



Reducing Coupling



Size	A	B	C	D	E
1/2"	0.75	0.85	1.55	0.12	
1/2" x 3/4"	1.06	1.18	1.79	0.12	0.96
3/4"	1.06	1.18	2.02	0.12	
3/4" x 1"	1.28	1.42	2.26	0.12	1.20
1"	1.28	1.42	2.50	0.12	

SUBMITTAL INFORMATION

- Temperature Rating is 180°F at 100 PSI

- Ends Conform to ASTM F1960

NO-LEAD: The weighted average of the wetted surface of this no-lead product contacted by consumable water contains less than one quarter of one percent (0.25%) lead.



A.Y. McDonald Mfg. Co.
4800 Chavenelle Rd
Dubuque, IA 52002

Toll Free: 1-800-292-2737
sales@aymcdonald.com
aymcdonald.com

A.Y. McDonald considers the information on this assembly drawing correct when published. Item and option availability, including specifications, are subject to change without notice.

Submitted by: