

# SUBMITTAL DATA SHEET

## No-Lead Low Pressure Valves Bronze Full Port Gate Valve – 72038T

FNPT X FNPT



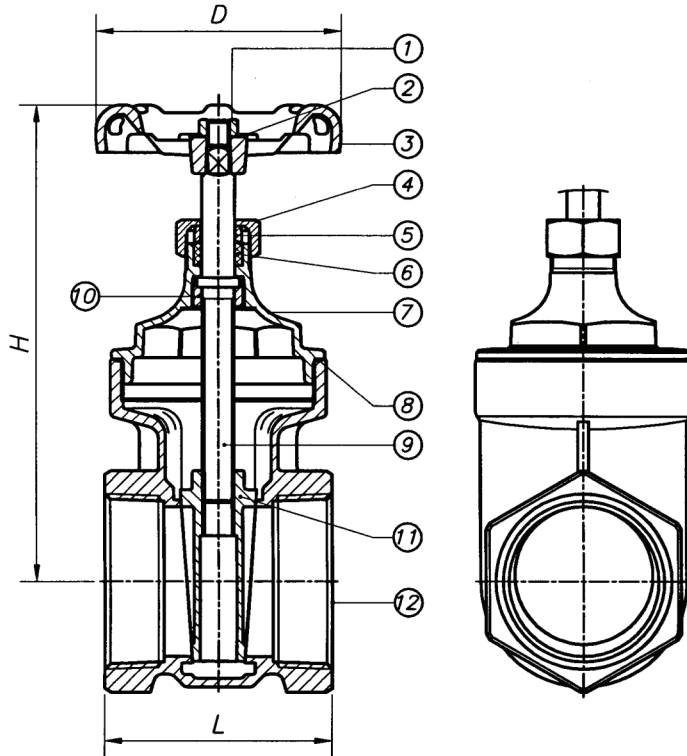
A.Y. McDonald Mfg. Co. No-Lead Low Pressure Valves are constructed from heavy duty no-lead bronze and are recommended for residential and commercial applications and positive shut-off with various inlet configurations.

### Dimensions

Part No.	Model No.	Size	D	H	L
5421-209	72038T	1/2"	2.09	2.91	1.71
5421-210	72038T	3/4"	2.13	3.31	1.81
5421-211	72038T	1"	2.48	3.90	2.13
5421-212	72038T	1 1/4"	2.72	4.61	2.24
5421-213	72038T	1 1/2"	3.15	5.08	2.44
5421-214	72038T	2"	3.52	5.98	2.70

### Materials

No.	Part	Material
1	Wheel Nut	Steel
2	Name Plate	Aluminum
3	Hand Wheel	Cast Iron
4	Packing Nut	No-Lead Brass
5	Gland Ring 1 1/4" - 4"	No-Lead Brass
6	Gland Packing	Graphite (LK 33 NAFG)
7	Bonnet	No-Lead Bronze
8	Packing 2"-4"	Fiber "H"
9	Stem 1/4" - 2" 2 1/2" - 4"	No-Lead Brass No-Lead Bronze
10	Lock Nut	No-Lead Brass
11	Disc	No-Lead Bronze
12	Body	No-Lead Bronze



### SUBMITTAL INFORMATION

- 300 WOG
- 125 WSP
- Sizes: 1/2", 3/4", 1", 1 1/4", 1 1/2" and 2"
- Threads conform to ANSI B1.20.1
- Non-rising stem
- Complies with NSF/ANSI 372-2010

NO-LEAD: The weighted average of the wetted surface of this no-lead product contacted by consumable water contains less than one quarter of one percent (0.25%) lead.



**A.Y. McDonald Mfg. Co.**  
4800 Chavenelle Rd  
Dubuque, IA 52002

**Toll Free: 1-800-292-2737**  
sales@aymcdonald.com  
aymcdonald.com

A.Y. McDonald considers the information on this assembly drawing correct when published. Item and option availability, including specifications, are subject to change without notice.

**Submitted by:**