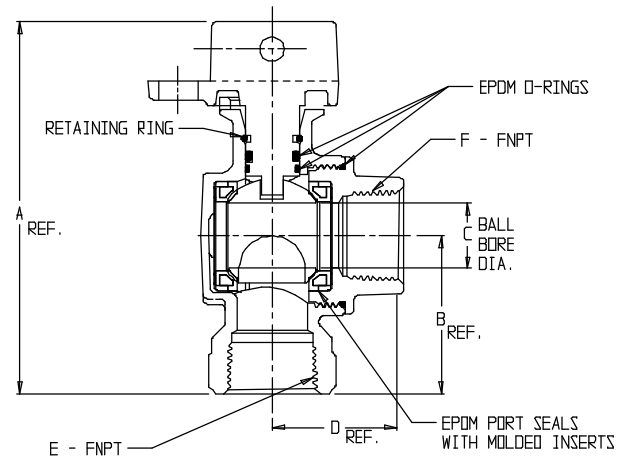
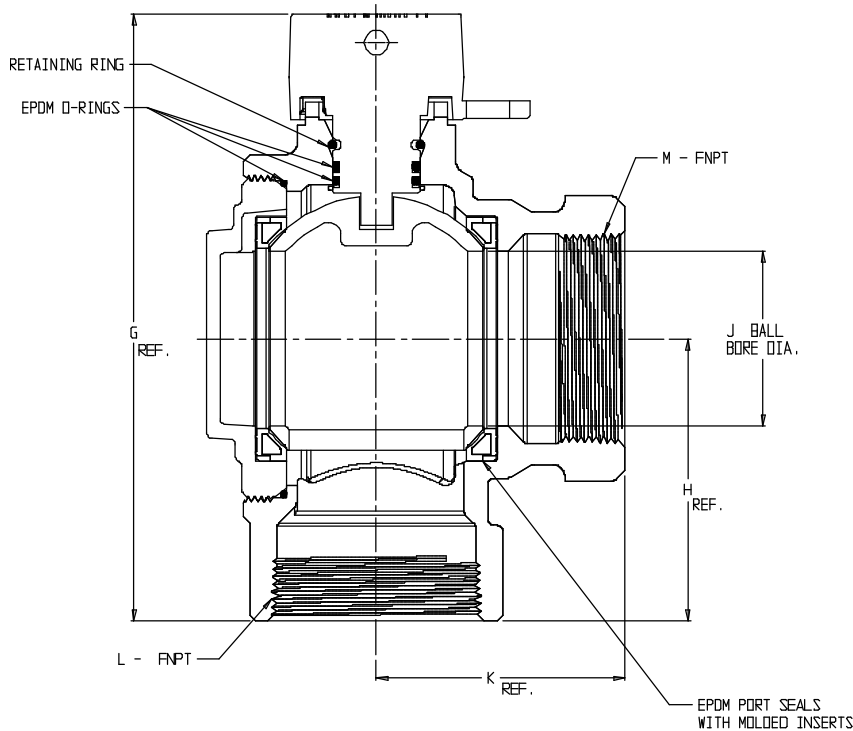


SUBMITTAL DATA SHEET

NL Ball Style Curb Stop – 74604BF

FNPT x FNPT



MODEL	SIZE	A	B	C	D	E	F
74604BF	3/4	4.25	1.81	.75	1.42	3/4	3/4
74604BF	1	4.82	2.00	1.00	1.76	1	1

MODEL	SIZE	G	H	J	K	L	M
74604BF	2	6.93	3.22	2.00	2.84	2	2

SUBMITTAL INFORMATION

- Manufactured in compliance with ANSI/AWWA C800 (latest revision)
- Brass components in contact with potable water conform to ASTM B584, UNS C89833 (latest revision) and identified with "NL"
- Certified to NSF/ANSI 61 and NSF/ANSI 372
- Brass components not in contact with potable water conform to ASTM B62 and ASTM B584, UNS C83600 -85-5-5-5 (latest revision)
- PTFE coated brass ball
- Valve rated for 300 PSIG water pressure, end connections not to exceed rated pipe pressures.
- Blow out proof EPDM port seals
- End piece joint sealed with an EPDM o-ring and thread locker



A.Y. McDonald Mfg. Co.
4800 Chavenelle Rd
Dubuque, IA 52002

Toll Free: 1-800-292-2737
sales@aymcdonald.com
aymcdonald.com

A.Y. McDonald considers the information on this assembly drawing correct when published. Item and option availability, including specifications, are subject to change without notice.

Submitted by: