

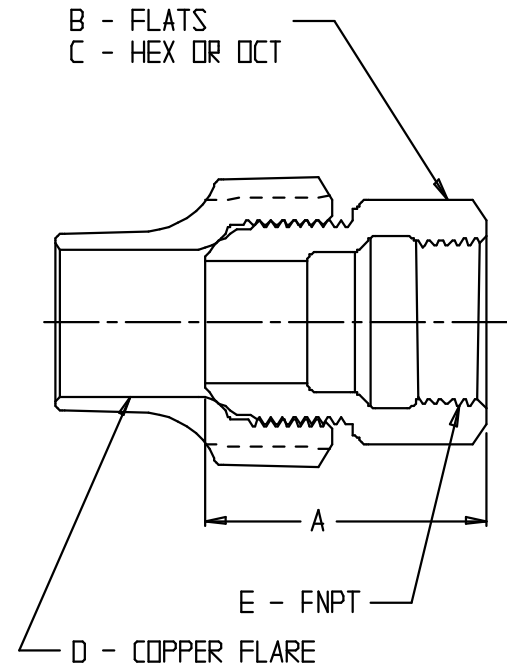
SUBMITTAL DATA SHEET

NL Service Fitting – 74754

Copper Flare x FNPT



MODEL	SIZE	A	B	C	D	E
74754	1/2	1.56	1.06	HEX	1/2	1/2
74754	1/2 X 3/4	1.72	1.38	HEX	1/2	3/4
74754	3/4	1.72	1.31	HEX	3/4	3/4
74754	3/4 X 1/2	1.82	1.38	HEX	3/4	1/2
74754	3/4 X 1	1.95	1.52	OCT	3/4	1
74754	1	2.15	1.63	HEX	1	1
74754	1 X 3/4	1.86	1.40	HEX	1	3/4
74754	1 X 1 1/4	2.19	2.00	HEX	1	1 1/4
74754	1 1/4	2.44	2.38	HEX	1 1/4	1 1/4
74754	1 1/2	2.56	2.56	HEX	1 1/2	1 1/2
74754	1 1/2 X 2	2.50	2.75	OCT	1 1/2	2
74754	2	3.06	3.04	HEX	2	2



SUBMITTAL INFORMATION

- Manufactured in compliance with ANSI/AWWA C800 (latest revision)
- Brass components in contact with potable water conform to ASTM B584, UNS C89833 (latest revision) and identified with "NL"
- Certified to NSF/ANSI 61 and NSF/ANSI 372
- Brass components not in contact with potable water conform to ASTM B62 and ASTM B584, UNS C83600 -85-5-5-5 (latest revision)
- Large wrench flats provided for proper installation



A.Y. McDonald Mfg. Co.
4800 Chavenelle Rd
Dubuque, IA 52002

Toll Free: 1-800-292-2737
sales@aymcdonald.com
aymcdonald.com

A.Y. McDonald considers the information on this assembly drawing correct when published. Item and option availability, including specifications, are subject to change without notice.

Submitted by: