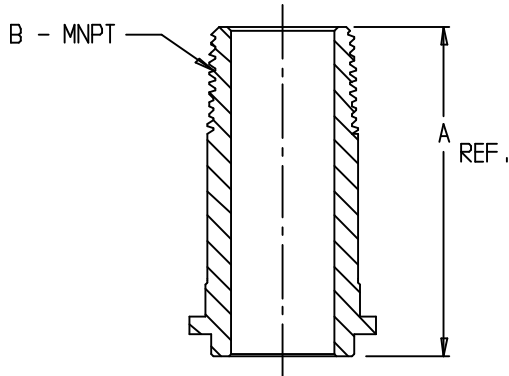


# SUBMITTAL DATA SHEET

Gas Non-Insulated Swivels – Straight Swivels

MNPT



SIZE	BLACK PART NUMBER	GALVANIZED PART NUMBER	A	B
10LT	4B15-503	4B15-519	2.31	3/4
1A	4B15-537	4B15-551	2.13	3/4
1A	4B15-539	4B15-553	2.41	1
20LT	4B15-509	4B15-525	2.75	1
20LT	N/A	4B15-864	4.00	1
20-10LT	4B15-730	4B15-732	2.38	3/4
30LT	4B15-545	4B15-559	2.91	1 1/4
30-20LT	4B15-687	4B15-689	2.84	1
45LT	4B15-568	4B15-578	2.94	1 1/2
45-30LT	4B15-734	4B15-736	3.88	1 1/4
#3/#4	4B15-856	4B15-857	3.13	1 1/2

## SUBMITTAL INFORMATION

- Rated for natural, manufactured, or LP Gas
- Iron castings conform to ASTM A47 or ASTM A536 (latest revision), with optional galvanized coating
- Pipe threads manufactured in compliance with ASME/ANSI B1.20.1 (latest revision)



**A.Y. McDonald Mfg. Co.**  
4800 Chavenelle Rd  
Dubuque, IA 52002

**Toll Free:** 1-800-292-2737  
sales@aymcdonald.com  
[aymcdonald.com](http://aymcdonald.com)

A.Y. McDonald considers the information on this assembly drawing correct when published. Item and option availability, including specifications, are subject to change without notice.

**Submitted by:**