

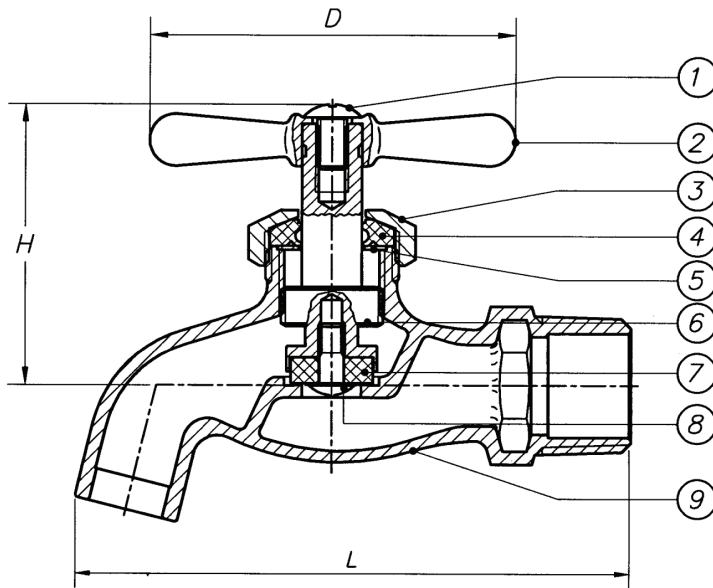
# SUBMITTAL DATA SHEET

No-Lead Low Pressure Valves  
Hose Bibb - No Thread – 72002NT

MNPT X Plain End



A.Y. McDonald Mfg. Co. No-Lead Low Pressure Valves are constructed from heavy duty no-lead brass and are recommended for residential and commercial applications and positive shut-off with various inlet configurations.



## Dimensions

Part No.	Model No.	Size	D	H	L
5420-288	72002NT	1/2"	2.20	1.69	3.27
5420-289	72002NT	3/4"	2.20	1.69	3.33

## Materials

No.	Part	Material
1	Handle Bolt	Steel
2	T-Handle	Zinc
3	Bonnet	No-Lead Brass
4	Gland Packing	Rubber
5	Washer	Stainless-Steel
6	Stem	No-Lead Brass
7	Seat Packing	Rubber
8	Seat Screw	No-Lead Brass
9	Body	No-Lead Brass

## SUBMITTAL INFORMATION

- 125 WOG
- Available Sizes: 1/2" and 3/4"
- 1/2" is MNPT or SWT Combination

NO-LEAD: The weighted average of the wetted surface of this no-lead product contacted by consumable water contains less than one quarter of one percent (0.25%) lead.



**A.Y. McDonald Mfg. Co.**  
4800 Chavenelle Rd  
Dubuque, IA 52002

**Toll Free: 1-800-292-2737**  
sales@aymcdonald.com  
aymcdonald.com

A.Y. McDonald considers the information on this assembly drawing correct when published. Item and option availability, including specifications, are subject to change without notice.

Submitted by: