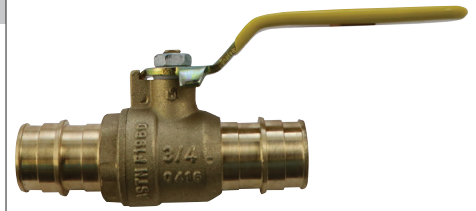


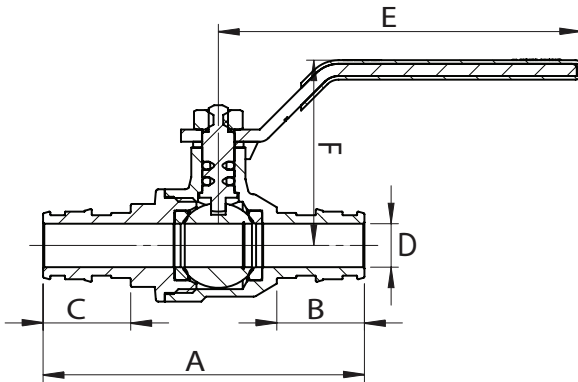
SUBMITTAL DATA SHEET

No-Lead Ball Valves Full Port Ball Valves - 72030EXP

Expansion Pex x Expansion Pex

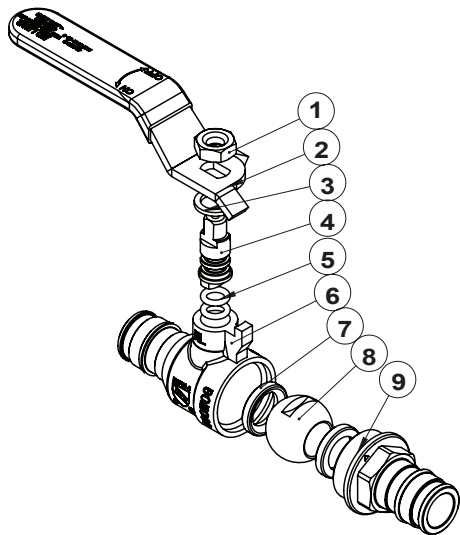


A.Y. McDonald Mfg. Co. No-Lead Ball Valves are constructed from heavy duty no-lead brass and are designed for use with potable water in commercial, industrial, and residential applications. Full Port valves allow for maximum flow with minimum pressure drop.



Dimensions

Size	A	B	C	D	E	F	Weight
1/2"	2.60	0.71	0.71	0.39	2.95	1.50	0.28
3/4"	3.21	0.94	0.94	0.59	3.17	1.57	0.42
1"	3.98	1.18	1.18	0.81	4.17	1.97	0.77



Materials

No.	Part	Material
1	Hex-nut	Zinc
2	Handle	Zinc
3	Packing Gland	PTFE
4	Stem	No-Lead Brass
5	O-Ring	EPDM
6	Body	No-Lead Brass
7	Seat	PTFE
8	Ball	No-Lead Brass
9	Bonnet	No-Lead Brass

SUBMITTAL INFORMATION

- Available Sizes: 1/2" - 1"
- Double O-ring packing
- Pex ends conform to ASTM F1960

- Blowout proof stem
- 400 CWP

- NSF/ANSI 61 & NSF/ANSI 372
- NSF/ANSI 14-2010a



NO-LEAD: The weighted average of the wetted surface of this no-lead product contacted by consumable water contains less than one quarter of one percent (0.25%) lead.



A.Y. McDonald Mfg. Co.
4800 Chavenelle Rd
Dubuque, IA 52002

Toll Free: 1-800-292-2737
sales@aymcdonald.com
aymcdonald.com

A.Y. McDonald considers the information on this assembly drawing correct when published. Item and option availability, including specifications, are subject to change without notice.

Submitted by: