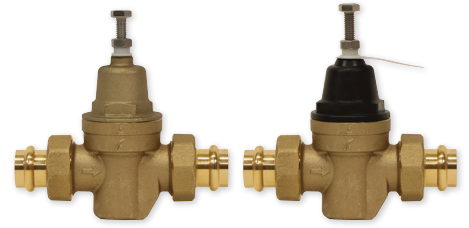


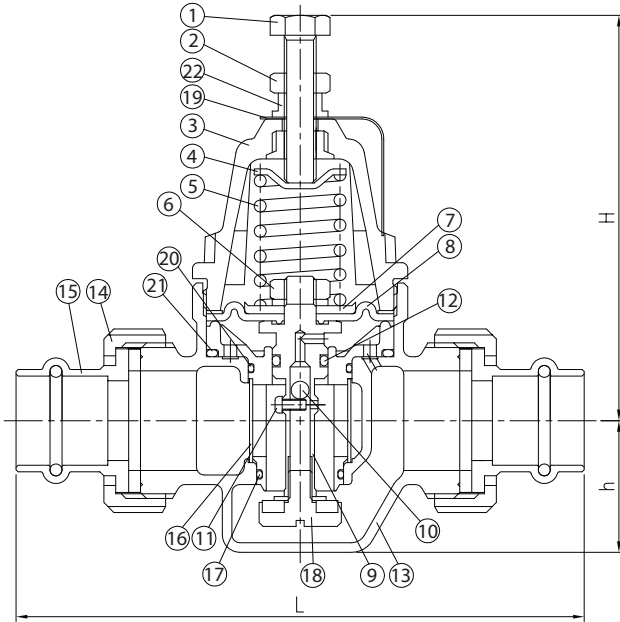
SUBMITTAL DATA SHEET

No-Lead Water Pressure Reducing Valves - 72602PF & 72602PFPC

Press Fit Union x Press Fit Union



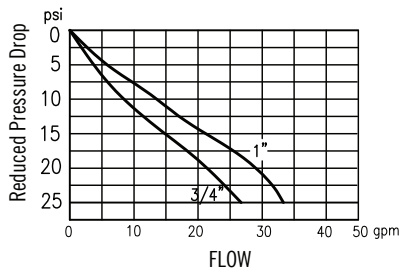
A.Y. McDonald Mfg. Co. compact Pressure Reducing Valves are designed to protect a water supply system and its components by reducing water pressure to a reasonable and safe level. With their versatility of installation and many design features, the A.Y. McDonald Water Pressure Reducing Valves can be used for numerous water system applications.



Materials

No.	Part	Material
1	Adjustment Bolt	Stainless-Steel
2	Lock Nut	Stainless-Steel
3	Bonnet	Brass or Plastic
4	Spring Disc	Stainless-Steel
5	Spring	Stainless-Steel
6	Diaphragm Nut	Stainless-Steel
7	Diaphragm Disc	Stainless-Steel
8	Diaphragm	NBR & Nylon
9	Stem	ASTM C46400
10	Rubber Ball	NBR
11	Rubber Ball Screw	Stainless-Steel
12	Stem O-ring	NBR
13	Body	No-Lead Brass
14	Union Nut	Brass
15	Union	No-Lead Brass
16	Strainer	Stainless-Steel
17	Seat O-ring	NBR
18	Plunger	No-Lead Brass
19	Name Plate	Aluminum
20	Sleeve O-ring	NBR
21	Sleeve Upper O-ring	NBR
22	Plastic Ring	POM (only for plastic bonnet)

Capacity:



Dimensions

Size	L	H	h
3/4"	5.59"	3.94"	1.30"
1"	6.22"	3.94"	1.34"

SUBMITTAL INFORMATION

- Sizes: 3/4" and 1"
- Available with Brass or PVC bonnet
- Maximum Service Temperature: 180°F

- Factory preset at 50 psi outlet pressure
- Adjustable outlet pressure range: 25 to 75 psi
- Installed vertically or horizontally

Compliance:

- ASSE 1003 

- NSF/ANSI/CAN 61 & 372 

NO-LEAD: The weighted average of the wetted surface of this no-lead product contacted by consumable water contains less than one quarter of one percent (0.25%) lead.



A.Y. McDonald Mfg. Co.
4800 Chavenelle Rd
Dubuque, IA 52002

Toll Free: 1-800-292-2737
sales@aymcdonald.com
aymcdonald.com

A.Y. McDonald considers the information on this assembly drawing correct when published. Item and option availability, including specifications, are subject to change without notice.

Submitted by: