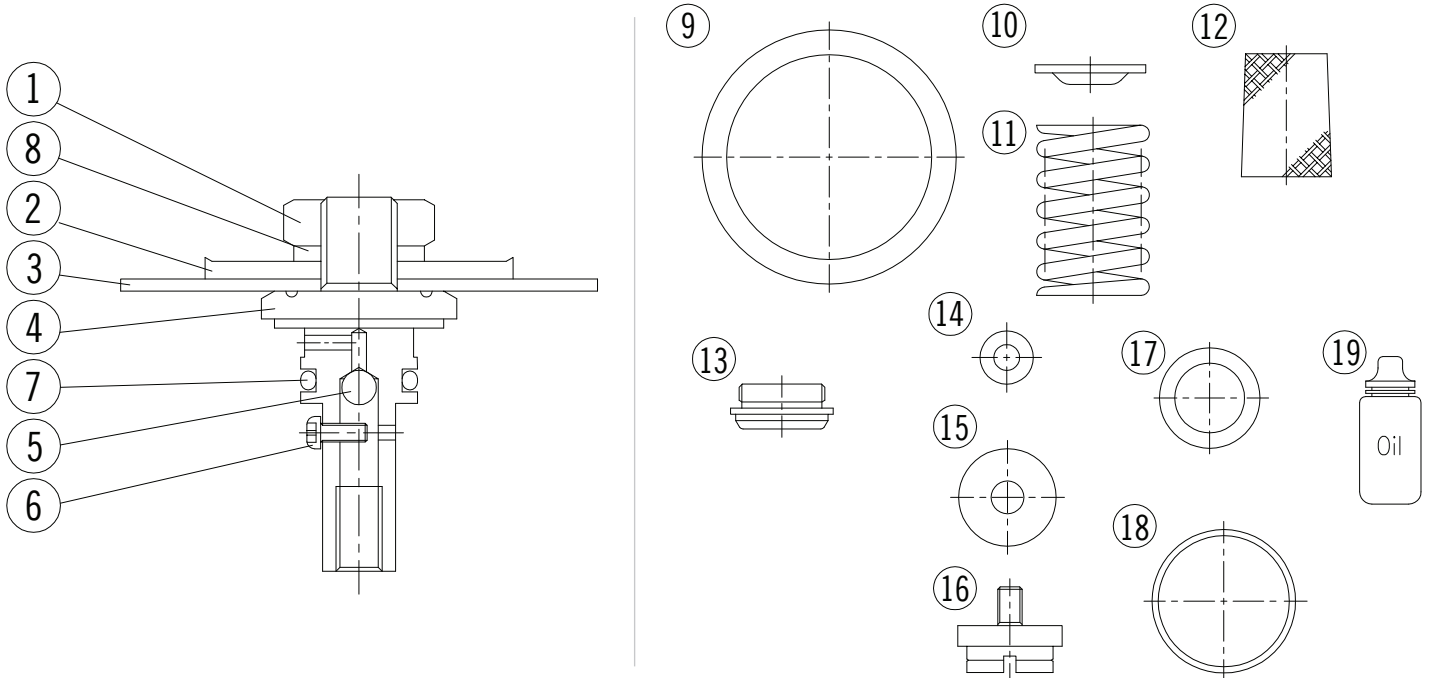


SUBMITTAL DATA SHEET

No-Lead Pressure Reducing Valve Repair Kit – 72600RK



A.Y. McDonald Mfg. Co. Pressure Reducing Valve (PRV) Repair Kits include parts needed to repair a 72600T or 72600M PRV, which is designed for installation on potable water lines to reduce incoming water pressure in order to protect plumbing system components. These kits are easy to install and the parts are made of high quality material.



The following parts will be assembled:

No.	Part	No.	Part
1	Diaphragm Nut	5	Rubber Ball
2	Diaphragm Disc	6	Rubber Ball Screw
3	Diaphragm	7	Stem O-ring
4	Stem	8	Spring Washer

Kit will also include:

No.	Part	No.	Part
9	Friction Ring	15	Plunger Packing
10	Spring Disc	16	Plunger
11	Spring	17	Union Packing
12	Strainer	18	Union Adapter O-ring (x2)
13	Seat O-ring	19	5ml Bottle of Lubricant
14	Plunger Washer		

SUBMITTAL INFORMATION

- 3/4" repair kit fits 72600M 3/4", 72600T 1/2" and 72600T 3/4"
- 1" repair kit fits 72600M 1" and 72600T 1"
- Spring range: 25 PSI - 75 PSI

Compliance:  ASSE 1003

- NSF/ANSI/CAN 61 & 372 

NO-LEAD: The weighted average of the wetted surface of this no-lead product contacted by consumable water contains less than one quarter of one percent (0.25%) lead.



A.Y. McDonald Mfg. Co.
4800 Chavenelle Rd
Dubuque, IA 52002

Toll Free: 1-800-292-2737
sales@aymcdonald.com
aymcdonald.com

A.Y. McDonald considers the information on this assembly drawing correct when published. Item and option availability, including specifications, are subject to change without notice.

Submitted by: