

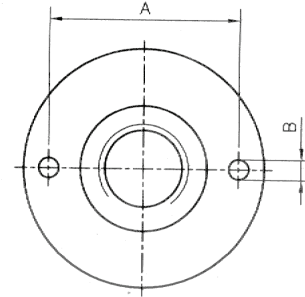
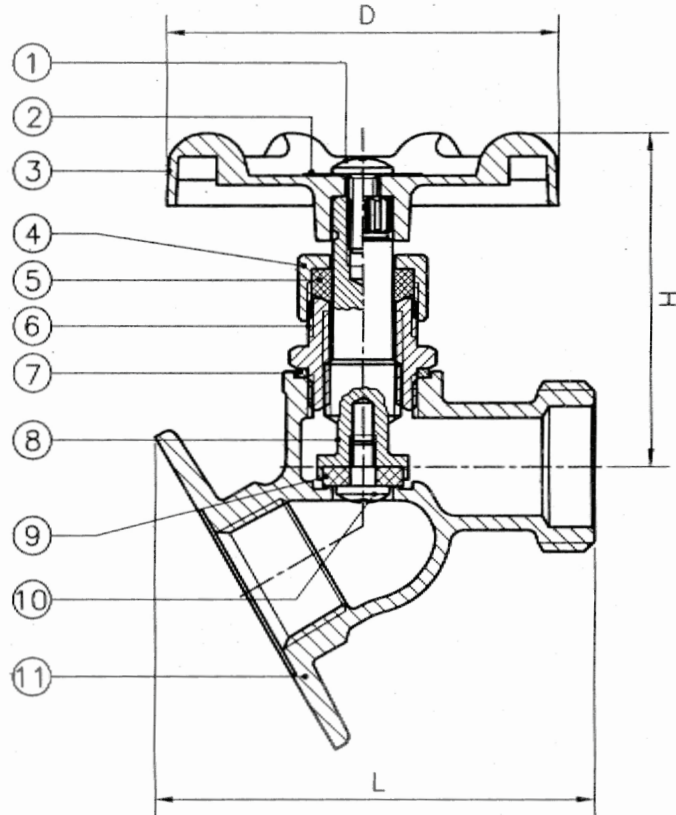
SUBMITTAL DATA SHEET

No-Lead
Heavy Duty Angle Sillcock – 72015F

FNPT x MGHT



A.Y. McDonald Mfg. Co. Low Pressure Valves are constructed from heavy duty no-lead brass and are recommended for residential and commercial applications and provide positive shut-off with various inlet configurations.



Dimensions

Part No.	Model No.	Size	A	B	D	H	L
5424-097	72015F	1/2" x 3/4"	0.24	1.77	2.44	2.07	2.72
5424-098	72015F	3/4" x 3/4"	0.24	1.77	2.44	2.07	2.72

Materials

No.	Part	Material
1	Bolt	Steel
2	Name Plate	Aluminium
3	Handle	Aluminium
4	Packing Nut	No-Lead Brass
5	Packing	Teflon Polyflon
6	Bonnet	No-Lead Brass
7	Packing	Nylon
8	Stem	No-Lead Brass
9	Seat Packing	Rubber
10	Screw	No-Lead Brass
11	Body	No-Lead Brass (C46400)

SUBMITTAL INFORMATION

- Available Sizes: 1/2" and 3/4"
- 125 WOG
- 2" Flange Diameter
- Rubber Coated Oval Handle
- Complies with NSF/ ANSI 372-2010

NO-LEAD: The weighted average of the wetted surface of this no-lead product contacted by consumable water contains less than one quarter of one percent (0.25%) lead.



A.Y. McDonald Mfg. Co.
4800 Chavenelle Rd
Dubuque, IA 52002

Toll Free: 1-800-292-2737
sales@aymcdonald.com
aymcdonald.com

A.Y. McDonald considers the information on this assembly drawing correct when published. Item and option availability, including specifications, are subject to change without notice.

Submitted by:

