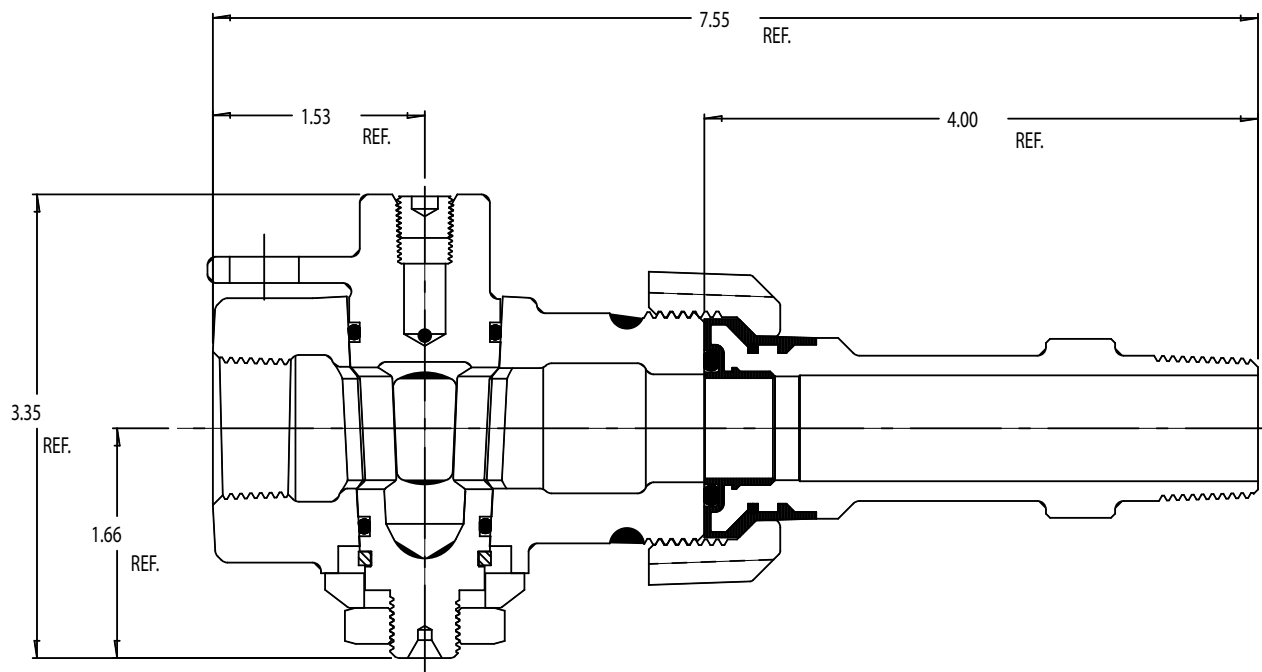




SUBMITTAL DATA

6316B SERIES 3/4" x 4.00"

Iron Body Gas Plug Valve with Extended Insulated Endpiece



A.Y. McDONALD CONSIDERS THE INFORMATION ON THIS ASSEMBLY DRAWING CORRECT WHEN PUBLISHED. ITEM AND OPTION AVAILABILITY, INCLUDING SPECIFICATIONS, ARE SUBJECT TO CHANGE WITHOUT NOTICE. PLEASE VERIFY THAT PRODUCT INFORMATION IS CURRENT.

- A.Y. McDonald's Iron Body Brass Plug Valve is designed and tested to comply with ANSI/ASME B16.33 American National Standard for "Manually Operated Metallic Gas Valves for use in Gas Piping Systems up to 125 PSIG".
- Pressure rating is 175 PSIG.
- Precision machined to assure a precise match between the body and the plug.
- Each valve is factory lubricated and suitable for use with natural, manufactured and LP gases.
- 175 PSIG valves can be relubricated while in service and under pressure. This renews the grease seal to a like new condition, adding to the life of the valve.
- Unless otherwise noted, valves are equipped with top and bottom O-rings for added security against external leakage.
- Tamper-resistant (tamperproof) design prevents disassembly with normal household tools.

- The on/off turning torques are controlled at assembly by using torque machines to set the bottom nut which is also staked in place to maintain this torque.
- Pressure may be applied in either direction as A.Y. McDonald's Plug Valve is a non-directional valve.
- The 90° rotation provides complete shut-off from open position. Valve can be rotated full 360°.
- Locking fits industry-standard, separately-supplied locking devices such as the "casket lock".
- Port openings sized to accommodate the best known stop changers.
- Temperature Range: -20° to +150°F.
- N.P.T. x Insulated union. M.I.P. thread tail piece per ANSI/ASME B1.20.1.
- Fire safe design.

A.Y. McDONALD MFG. CO. • P.O. BOX 508 • DUBUQUE, IA 52004-0508
800-292-2737 • FAX 800-832-9296 • sales@aymcdonald.com • www.aymcdonald.com