



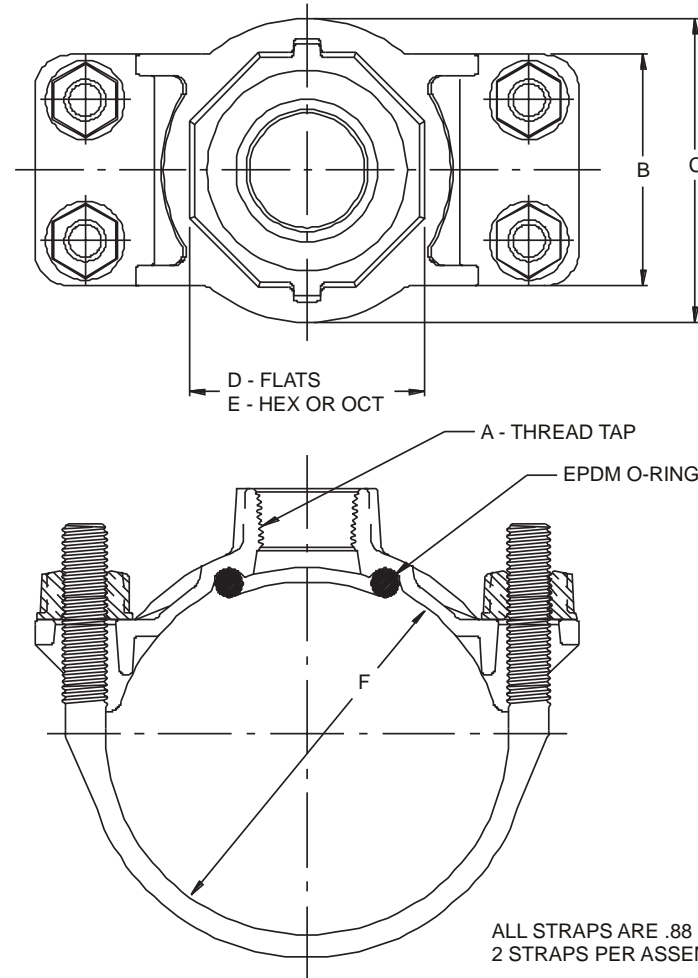
SUBMITTAL DATA

3825 SERVICE SADDLES

A.Y. McDONALD CONSIDERS THE INFORMATION ON THIS ASSEMBLY DRAWING CORRECT WHEN PUBLISHED. ITEM AND OPTION AVAILABILITY, INCLUDING SPECIFICATIONS, ARE SUBJECT TO CHANGE WITHOUT NOTICE. PLEASE VERIFY THAT PRODUCT INFORMATION IS CURRENT.

PART NO.	MODEL	SIZE	A	B	C	D	E	F
4148-000	3825	4 X 3/4	3/4 AWWA	3.19	3.19	1.69	HEX	4.74 - 5.40
4148-002	3825	4 X 1	1 AWWA	3.19	3.19	1.69	HEX	4.74 - 5.40
4148-024	3825	4 X 1 1/2	1 1/2 AWWA	3.19	4.19	3.10	OCT	4.74 - 5.40
4148-004	3825	4 X 2	2 AWWA	3.19	4.19	3.45	OCT	4.74 - 5.40
4148-006	3825	6 X 3/4	3/4 AWWA	3.19	3.19	1.69	HEX	6.84 - 7.50
4148-008	3825	6 X 1	1 AWWA	3.19	3.19	1.69	HEX	6.84 - 7.50
4148-026	3825	6 X 1 1/2	1 1/2 AWWA	3.19	4.19	3.10	OCT	6.84 - 7.50
4148-010	3825	6 X 2	2 AWWA	3.19	4.19	3.45	OCT	6.84 - 7.50
4148-012	3825	8 X 3/4	3/4 AWWA	3.19	3.19	1.69	HEX	8.99 - 9.67
4148-014	3825	8 X 1	1 AWWA	3.19	3.19	1.69	HEX	8.99 - 9.67
4148-028	3825	8 X 1 1/2	1 1/2 AWWA	3.19	4.19	3.10	OCT	8.99 - 9.67
4148-016	3825	8 X 2	2 AWWA	3.19	4.19	3.45	OCT	8.99 - 9.67
4148-032	3825	10 X 3/4	3/4 AWWA	3.19	3.19	1.69	HEX	11.04 - 12.12
4148-034	3825	10 X 1	1 AWWA	3.19	3.19	1.69	HEX	11.04 - 12.12
4148-036	3825	10 X 1 1/2	1 1/2 AWWA	3.19	4.19	3.10	OCT	11.04 - 12.12
4148-039	3825	10 X 2	2 AWWA	3.19	4.19	3.45	OCT	11.04 - 12.12
4148-018	3825	12 X 3/4	3/4 AWWA	3.19	3.19	1.69	HEX	13.14 - 14.58
4148-020	3825	12 X 1	1 AWWA	3.19	3.19	1.69	HEX	13.14 - 14.58
4148-030	3825	12 X 1 1/2	1 1/2 AWWA	3.19	4.19	3.10	OCT	13.14 - 14.58
4148-022	3825	12 X 2	2 AWWA	3.19	4.19	3.45	OCT	13.14 - 14.58

THIS PRINT IS THE PROPERTY OF A.Y. MCDONALD MFG. CO., DUBUQUE, IOWA AND IS LOANED SUBJECT TO RETURN UPON DEMAND. IT IS ISSUED WITH THE EXPRESSED AGREEMENT THAT IT WILL NOT BE ISSUED DIRECTLY OR INDIRECTLY IN ANY WAY DETRIMENTAL TO OUR INTERESTS. THE ACCEPTANCE OF THIS DRAWING WILL BE CONSTRUED AS AN ACCEPTANCE OF THE FOREGOING AGREEMENT.



ALL STRAPS ARE .88 WIDE
2 STRAPS PER ASSEMBLY

- All cast brass conforms to AWWA Standard C800-01 (ASTM B-62, UNS C83600 – 85-5-5-5).
- Body design includes heavy wrench flats for proper installation.
- All threads conform to current AWWA C800-01 standard.
- Materials meet or exceed A.W.W.A. standard C-800-01.

SUBMITTED BY:

A.Y. McDONALD MFG. CO. • P.O. BOX 508 • DUBUQUE, IA 52004-0508
800-292-2737 • FAX 800-832-9296 • sales@aymcdonald.com • www.aymcdonald.com