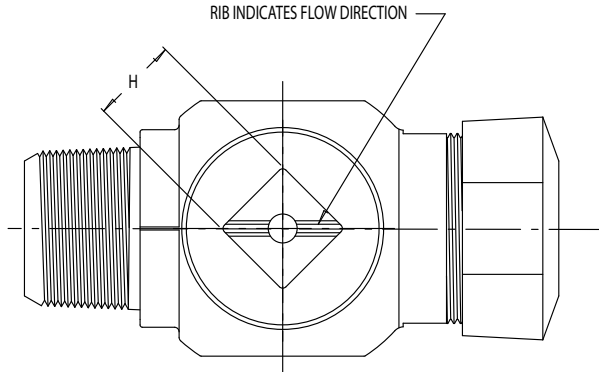


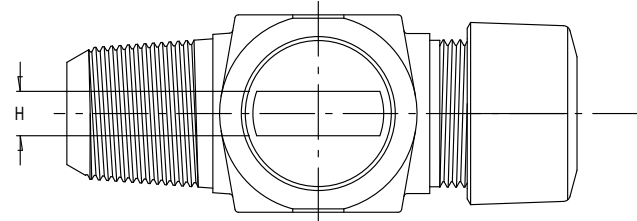


SUBMITTAL DATA

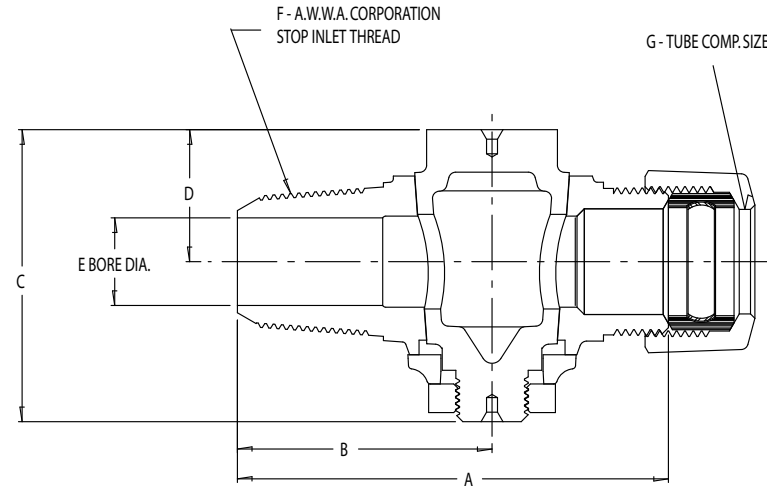
4701T CORPORATION STOP - PLUG VALVE



*NOTE: 1 1/2 & 2 INCH PLUGS HAVE SQUARE HEAD WRENCHING SURFACES



PART NO.	MODEL	SIZE	A	B	C	D	E	F	G	H
4130-118	4701T	5/8 X 3/4	3.38	2.02	2.33	1.10	.63	5/8	3/4	.34
4130-104	4701T	3/4	3.66	2.15	2.50	1.13	.75	3/4	3/4	.38
4131-168	4701T	3/4 X 1	3.87	2.15	2.50	1.13	.75	3/4	1	.38
4130-105	4701T	1	4.25	2.40	2.89	1.41	1.00	1	1	.38
4130-171	4701T	1 1/4	5.31	2.94	3.44	1.67	1.25	1 1/4	1 1/4	.44
4130-172	4701T	1 1/2	6.23	3.35	4.26	1.98	1.50	1 1/2	1 1/2	*1.13
4130-173	4701T	2	7.30	3.97	4.80	2.39	2.00	2	2	*1.25



- All cast brass conforms to latest AWWA Standard C800 (ASTM B-62, UNS C83600 – 85-5-5-5).
- Throughway dimensions shall be no smaller than the nominal size of the valve.
- Valves are designed so they can be installed under pressure with standard tapping and drilling machine and insertion tools.
- Threads conform to current AWWA C-800 standard.
- Body design includes heavy wrench flats for proper installation.
- Rectangular operating head will be aligned such that the long side will indicate the direction of flow.
- 100 PSIG water working pressure for valves up to 1".
- 80 PSIG water working pressure for 1 1/4" - 2" valves.

- 360° rotation.
- Compression type bodies include internal pipe stop.
- Compression assembly includes EPDM rubber sealing gasket and stainless steel gripping ring.
- Designed for use with potable water.

A.Y. McDONALD CONSIDERS THE INFORMATION ON THIS ASSEMBLY DRAWING CORRECT WHEN PUBLISHED. ITEM AND OPTION AVAILABILITY, INCLUDING SPECIFICATIONS, ARE SUBJECT TO CHANGE WITHOUT NOTICE. PLEASE VERIFY THAT PRODUCT INFORMATION IS CURRENT.

A.Y. McDONALD MFG. CO. • P.O. BOX 508 • DUBUQUE, IA 52004-0508
800-292-2737 • FAX 800-832-9296 • sales@aymcdonald.com • www.aymcdonald.com

PREPARED FOR: _____

SUBMITTED BY: _____

DATE: _____