



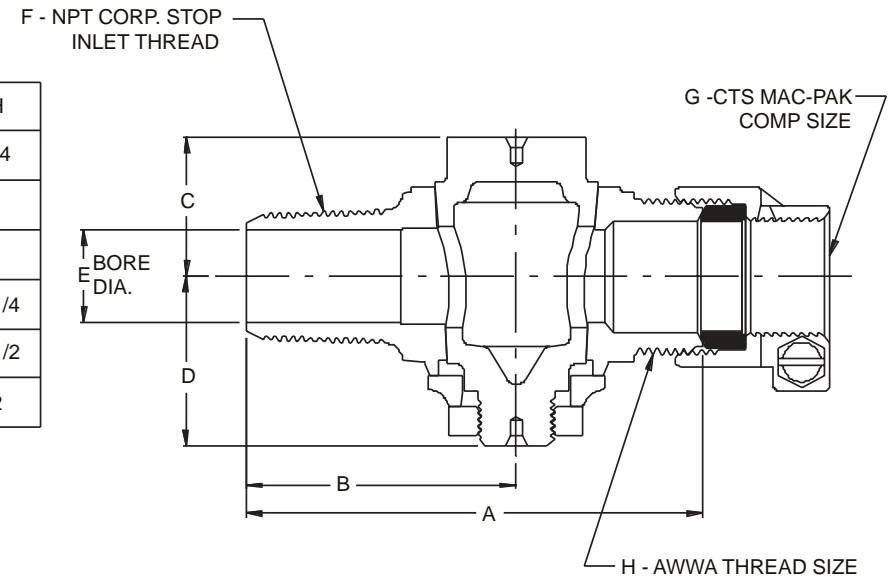
SUBMITTAL DATA

4704-22 - CORPORATION STOPS - PLUG VALVES

A.Y. McDONALD CONSIDERS THE INFORMATION ON THIS ASSEMBLY DRAWING CORRECT WHEN PUBLISHED. ITEM AND OPTION AVAILABILITY, INCLUDING SPECIFICATIONS, ARE SUBJECT TO CHANGE WITHOUT NOTICE. PLEASE VERIFY THAT PRODUCT INFORMATION IS CURRENT.

THIS PRINT IS THE PROPERTY OF A.Y. MCDONALD MFG. CO., DUBUQUE, IOWA AND IS LOANED SUBJECT TO RETURN UPON DEMAND. IT IS ISSUED WITH THE EXPRESSED AGREEMENT THAT IT WILL NOT BE ISSUED DIRECTLY OR INDIRECTLY IN ANY WAY DETRIMENTAL TO OUR INTERESTS. THE ACCEPTANCE OF THIS DRAWING WILL BE CONSTRUED AS AN ACCEPTANCE OF THE FOREGOING AGREEMENT.

PART NO.	MODEL	SIZE	A	B	C	D	E	F	G	H
4140-109	4704-22	3/4	3.66	2.15	1.14	1.36	.75	3/4	3/4	3/4
4130-178	4704-22	3/4 X 1	3.87	2.15	1.14	1.36	.75	3/4	1	1
4141-132	4704-22	1	4.25	2.40	1.41	1.50	1.00	1	1	1
4141-147	4704-22	1 1/4	5.31	2.94	1.55	1.89	1.25	1 1/4	1 1/4	1 1/4
4141-160	4704-22	1 1/2	6.19	3.31	2.00	2.31	1.47	1 1/2	1 1/2	1 1/2
4141-173	4704-22	2	7.30	3.97	2.42	2.40	2.00	2	2	2



- All cast brass conforms to AWWA Standard C800-01 (ASTM B-62, UNS C83600 – 85-5-5-5).
- Throughway dimensions shall be no smaller than the nominal size of the valve.
- Valves are designed so they can be installed under pressure with standard tapping and drilling machine and instertion tools.
- Threads conform to current AWWA C800-01 standard.
- Body design includes heavy wrench flats for proper installation.
- 1" and smaller meet 100 PSIG water working pressure requirement of AWWA C800-01.
- 1 1/2" thru 2" meet 80 PSIG water working pressure requirement of AWWA C800-01.
- 360° rotation.

- Flare tube nut has large hex wrenching surfaces and long tube support body.
- Compression type bodies include internal pipe stop.
- Compression assemblies include one or more of the following: BUNA-N or EPDM rubber sealing gasket, imbedded electrical conduction spring, stainless steel gripping ring or stainless steel set screw.
- Direction of flow is indicated by position of operating head in relationship to inlet and outlet of body (parallel to body).
- Desinged for use with potable water.

A.Y. McDONALD MFG. CO. • P.O. BOX 508 • DUBUQUE, IA 52004-0508
800-292-2737 • FAX 800-832-9296 • sales@aymcdonald.com • www.aymcdonald.com

SUBMITTED BY: