

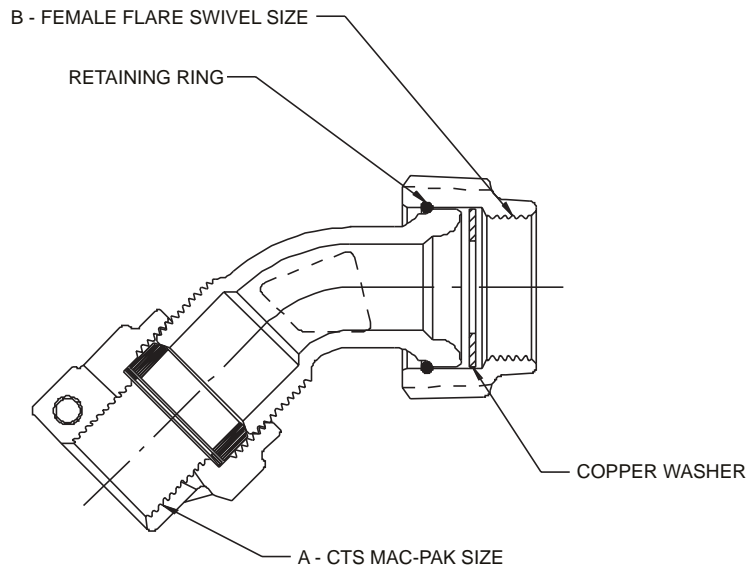


SUBMITTAL DATA

4750S-22 1/8 BEND - COUPLING

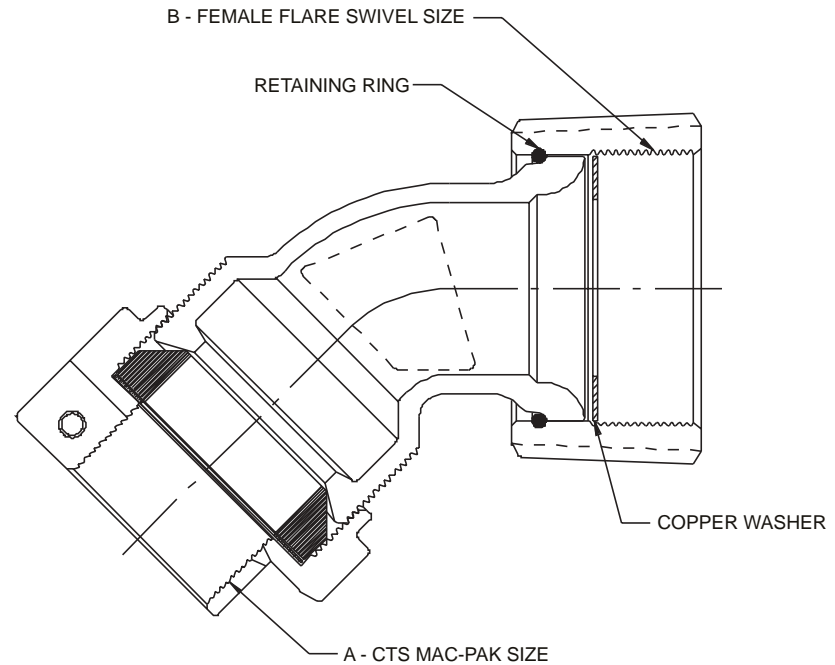
A.Y. McDONALD CONSIDERS THE INFORMATION ON THIS ASSEMBLY DRAWING CORRECT WHEN PUBLISHED. ITEM AND OPTION AVAILABILITY, INCLUDING SPECIFICATIONS, ARE SUBJECT TO CHANGE WITHOUT NOTICE. PLEASE VERIFY THAT PRODUCT INFORMATION IS CURRENT.

PART NO.	MODEL NO.	SIZE	A	B
4122-195	4750S-22	3/4	3/4	3/4
4122-191	4750S-22	1	1	1
4122-192	4750S-22	1 1/2	1 1/2	1 1/2



PART NO.	MODEL NO.	SIZE	A	B
4122-193	4750S-22	2	2	2

NOTE: 2" SIZE DOES NOT CAPTURE COPPER WASHER



- All cast brass conforms to AWWA Standard C800-01 (ASTM B-62, UNS C83600 – 85-5-5-5).
- Compression assemblies include BUNA-N or EPDM rubber sealing gasket, stainless steel gripping ring and stainless steel set screw.
- Bronze retaining ring of ASTM B159, copper alloy UNS C51000.
- Designed for use with potable water.

A.Y. McDONALD MFG. CO. • P.O. BOX 508 • DUBUQUE, IA 52004-0508
800-292-2737 • FAX 800-832-9296 • sales@aymcdonald.com • www.aymcdonald.com

PREPARED FOR: _____
SUBMITTED BY: _____
DATE: _____