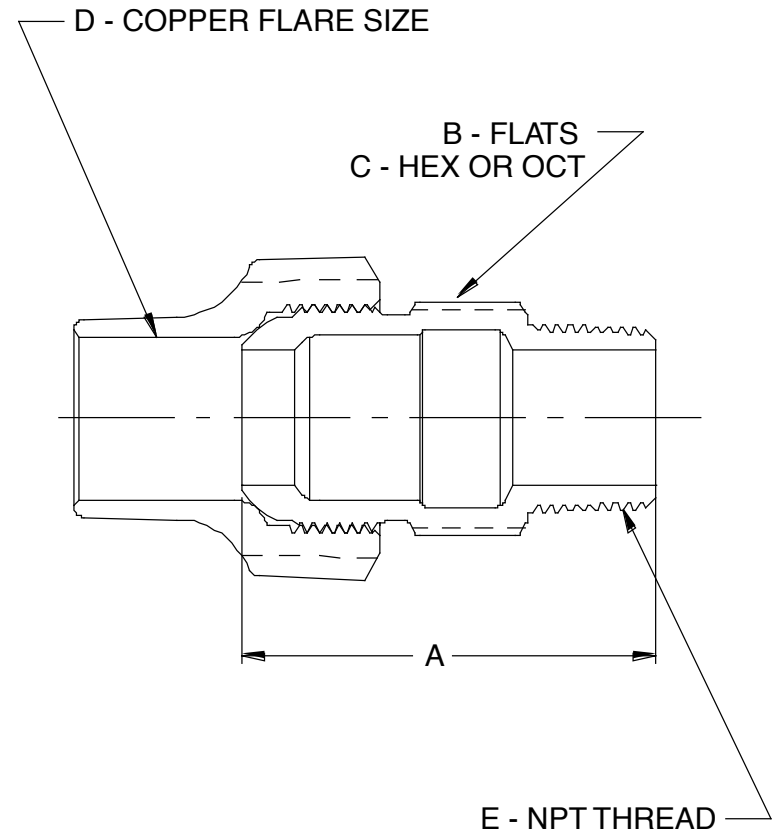




# SUBMITTAL DATA

## 4753 SERVICE FITTINGS & COUPLINGS

PART NO.	MODEL	SIZE	A	B	C	D	E
4119-122	4753	1/2	1.88	1.06	HEX	1/2	1/2
4119-123	4753	1/2 X 3/4	2.00	1.03	HEX	1/2	3/4
4120-139	4753	3/4	2.29	1.20	OCT	3/4	3/4
4120-140	4753	3/4 X 1/2	2.21	1.38	HEX	3/4	1/2
4121-187	4753	3/4 X 1	2.35	1.32	OCT	3/4	1
4121-140	4753	1	2.66	1.38	OCT	1	1
4121-194	4753	1 X 3/4	2.49	1.34	HEX	1	3/4
4121-141	4753	1 1/4	2.95	1.70	OCT	1 1/4	1 1/4
4122-140	4753	1 1/2	3.44	2.56	HEX	1 1/2	1 1/2
4122-142	4753	2	3.75	3.31	HEX	2	2



- All cast brass conforms to latest AWWA Standard C800 (ASTM B-62, UNS C83600 – 85-5-5-5).
- Body design provides large hexagonal or octagonal wrench flats for proper installation.
- Flare tube nut has large hex wrenching surfaces and long tube support body.
- Designed for use with above or underground potable water tubing.

A.Y. McDONALD CONSIDERS THE INFORMATION ON THIS ASSEMBLY DRAWING CORRECT WHEN PUBLISHED. ITEM AND OPTION AVAILABILITY, INCLUDING SPECIFICATIONS, ARE SUBJECT TO CHANGE WITHOUT NOTICE. PLEASE VERIFY THAT PRODUCT INFORMATION IS CURRENT.

PREPARED FOR: \_\_\_\_\_

SUBMITTED BY: \_\_\_\_\_

DATE: \_\_\_\_\_

(Specs-Srv.Ftgs&cplgs)

**A.Y. McDONALD MFG. CO. • P.O. BOX 508 • DUBUQUE, IA 52004-0508**

**800-292-2737 • FAX 800-832-9296 • sales@aymcdonald.com • www.aymcdonald.com**