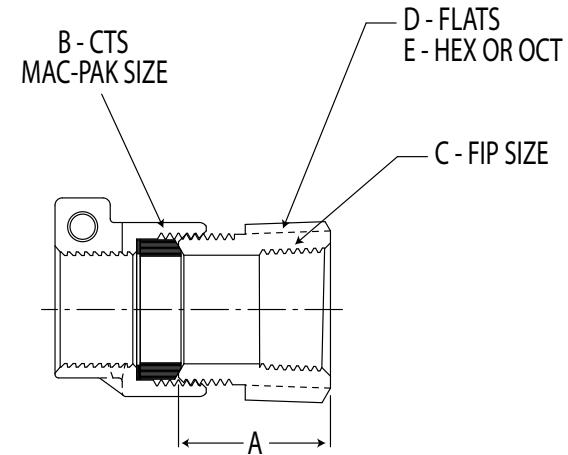




SUBMITTAL DATA

4754-22 Straight Coupling - CTS Compression X FIP

PART NO.	MODEL	SIZE	A	B	C	D	E
4130-010	4754-22	1/2	1.25	1/2	1/2	1.06	HEX
4140-112	4754-22	3/4	1.27	3/4	3/4	1.31	HEX
4131-060	4754-22	3/4 X 1/2	1.61	3/4	1/2	1.38	HEX
4121-001	4754-22	3/4 X 1	1.64	3/4	1	1.52	OCT
4141-135	4754-22	1	1.40	1	1	1.54	OCT
4121-002	4754-22	1 X 3/4	1.40	1	3/4	1.37	OCT
4131-224	4754-22	1 X 1 1/4	1.75	1	1 1/4	1.88	OCT
4141-156	4754-22	1 1/4	2.17	1 1/4	1 1/4	2.00	OCT
4121-006	4754-22	1 1/4 X 3/4	2.08	1 1/4	3/4	1.69	HEX
4149-125	4754-22	1 1/4 X 1	1.75	1 1/4	1	1.69	HEX
4141-169	4754-22	1 1/2	2.00	1 1/2	1 1/2	2.31	OCT
4131-313	4754-22	1 1/2 X 1	2.64	1 1/2	1	1.85	OCT
4131-094	4754-22	1 1/2 X 1 1/4	2.31	1 1/2	1 1/4	2.00	OCT
4141-182	4754-22	2	2.04	2	2	2.81	OCT



- All cast brass conforms to AWWA Standard C800 (ASTM B-62, UNS C83600-85-5-5-5).
- Body design includes heavy wrench flats for proper installation.
- Materials meet or exceed AWWA Standard C-800.
- Compression type bodies include internal pipe stop.
- Compression assembly includes EPDM rubber sealing gasket and stainless steel set screw.
- Designed for use with above or below ground potable water.

A.Y. McDONALD CONSIDERS THE INFORMATION ON THIS ASSEMBLY DRAWING CORRECT WHEN PUBLISHED. ITEM AND OPTION AVAILABILITY, INCLUDING SPECIFICATIONS, ARE SUBJECT TO CHANGE WITHOUT NOTICE. PLEASE VERIFY THAT PRODUCT INFORMATION IS CURRENT.

PREPARED FOR: _____

SUBMITTED BY: _____

DATE: _____

A.Y. McDONALD MFG. CO. • P.O. BOX 508 • DUBUQUE, IA 52004-0508
800-292-2737 • FAX 800-832-9296 • sales@aymcdonald.com • www.aymcdonald.com