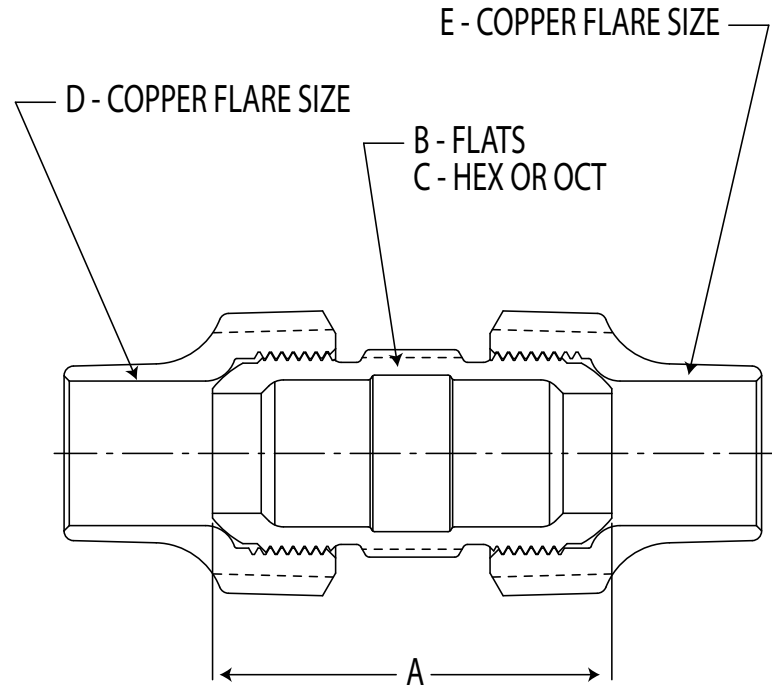




# SUBMITTAL DATA

## 4758 SERIES STRAIGHT COUPLING - FLARE X FLARE

PART NO.	MODEL	SIZE	A	B	C	D	E
4119-126	4758	1/2	2.06	1.06	HEX	1/2	1/2
4120-097	4758	1/2 X 3/4	2.21	1.38	HEX	1/2	3/4
4120-144	4758	3/4	2.50	1.20	OCT	3/4	3/4
4121-195	4758	3/4 X 1	2.57	1.34	HEX	3/4	1
4121-147	4758	1	2.88	1.38	OCT	1	1
4121-148	4758	1 1/4	3.87	2.38	HEX	1 1/4	1 1/4
4122-147	4758	1 1/2	3.88	2.88	HEX	1 1/2	1 1/2
4122-148	4758	2	4.25	3.29	HEX	2	2



- Cast brass conforms to current AWWA Standard C800 (ASTM B-62, UNS C83600 – 85-5-5-5).
- Threads conform to current AWWA Standard C800.
- Body design includes heavy wrench flats for proper installation.
- Throughway dimensions shall be no smaller than the nominal size of the valve.
- Flare tube nut has large hex wrenching surfaces and long tube support body.
- Fittings meet or exceed pressure requirements as set forth by AWWA C800 standards for underground service line valves and fittings.
- Designed for use with above or below ground potable water applications with a temperature range of 34°F and 100°F.

A.Y. McDONALD CONSIDERS THE INFORMATION ON THIS ASSEMBLY DRAWING CORRECT WHEN PUBLISHED. ITEM AND OPTION AVAILABILITY, INCLUDING SPECIFICATIONS, ARE SUBJECT TO CHANGE WITHOUT NOTICE. PLEASE VERIFY THAT PRODUCT INFORMATION IS CURRENT.

**A.Y. McDONALD MFG. CO. • P.O. BOX 508 • DUBUQUE, IA 52004-0508**  
**800-292-2737 • FAX 800-832-9296 • sales@aymcdonald.com • www.aymcdonald.com**

**PREPARED FOR:** \_\_\_\_\_

**SUBMITTED BY:** \_\_\_\_\_

**DATE:** \_\_\_\_\_

(Specs-Mtr. Coup.-Straight2.4119-126)