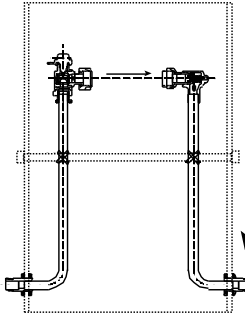


PITSETTERS COPPER BRASS ONLY - SERIES 15



Prices based on 15" height (For other heights, see below).

- For each 3" of additional height over 15" add:
 \$ 4.21 list for 5/8, 5/8x3/4 meters
 \$ 4.21 list for 3/4 meter
 \$ 5.23 list for 1 meter

- For Series 16 tandem setters add:
 \$ 61.68 to list for 5/8 meter
 \$ 61.68 to list for 5/8x3/4 or 3/4 meter
 \$ 75.61 to list for 1 meter

For Dual settings
Contact Factory

Brass only PVC pit and brace not included.

MODEL	METER SIZE	BOTTOM INLET/OUTLET	TOP INLET	TOP OUTLET	PIT ID	LIST PRICE
15-115WXPP 33X18	5/8	3/4" MIP	Angle ball valve	Meter nut	18"	\$196.91
15-215WXPP 33X18	5/8x3/4	3/4" MIP	Angle ball valve	Meter nut	18"	196.91
15-315WXPP 33X20	3/4	3/4" MIP	Angle ball valve	Meter nut	20"	206.62
15-415WXPP 44X21	1	1" MIP	Angle ball valve	Meter nut	21"	316.03

15-115WCPP 33X18	5/8	3/4" MIP	Angle ball valve	Angle single check valve	18"	233.41
15-215WCPP 33X18	5/8x3/4	3/4" MIP	Angle ball valve	Angle single check valve	18"	233.41
15-315WCPP 33X20	3/4	3/4" MIP	Angle ball valve	Angle single check valve	20"	243.09
15-415WCPP 44X21	1	1" MIP	Angle ball valve	Angle single check valve	21"	359.96

15-115WDPP 33X18	5/8	3/4" MIP	Angle ball valve	Angle dual check valve	18"	269.84
15-215WDPP 33X18	5/8x3/4	3/4" MIP	Angle ball valve	Angle dual check valve	18"	269.84
15-315WDPP 33X20	3/4	3/4" MIP	Angle ball valve	Angle dual check valve	20"	279.56
15-415WDPP 44X21	1	1" MIP	Angle ball valve	Angle dual check valve	21"	388.95

*For other types of connections, contact factory. For other diameter pits, add \$3.97 for each additional 3" and contact factory.

*For 1 1/2" & 2" configurations, contact factory

**** NON-STOCK ITEM CONTACT FACTORY FOR MINMUM ORDER QTYS & DELIVERY**

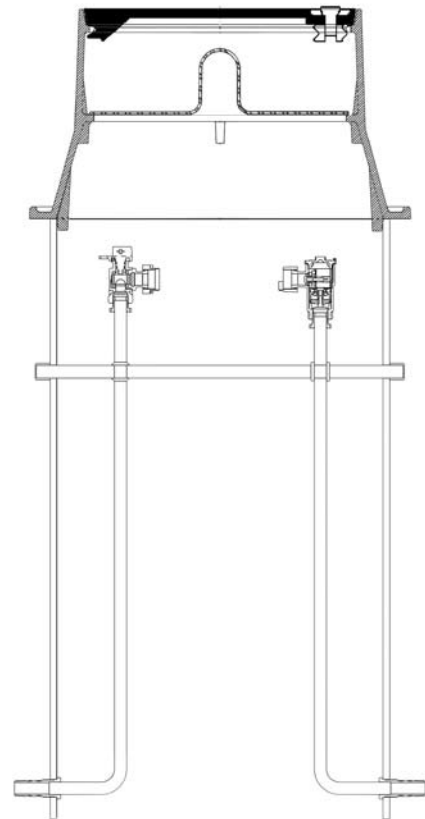
(Components to assemble may be stock items.) Contact Factory for availability.

PITSETTERS ASSEMBLIES - SERIES 80

Includes Pit, and brass; cover and lid sold separately.

	SIZE	PRICE	CTN/WT	
INSULATING CUSHIONS	80-C2 18X2.00	\$71.05	1/ .5	
	80-C2 20X2.00	\$74.11	1/ .5	
	80-C2 21X2.00	\$74.11	1/ .7	
	80-C2 24X2.00	\$89.14	1/ .9	
	80-BLK PIT BLANKET			
	48X48	\$ 21.27		
	80-EXT PIT EXTENSION			
	18X03	\$ 42.06	1/ 4.0	
	18X06	\$ 53.74	1/ 7.6	
	18X09	\$ 65.42	1/ 11	
18X12	\$ 77.10	1/ 15		
21X03	\$ 45.56	1/ 5.5		
21X06	\$ 63.08	1/ 11		
21X09	\$ 80.61	1/ 16		
21X12	\$ 98.12	1/ 20		
21X18	\$ 115.64	1/ 27		
24X03	\$ 51.40	1/ 6.5		
24X06	\$ 73.60	1/ 13		
24X09	\$ 95.79	1/ 19		
24X12	\$ 117.98	1/ 25		
5/8" METER				
80-136WXPP 33X18	\$ 382.54	1/ 44		
80-139WXPP 33X18	\$ 402.06	1/ 48		
80-148WCPP 33 X 18	\$ 495.39	1/ 66		
80-148WDPP 33 X 18	\$ 528.63	1/ 66		
80-148WXPP 33 X 18	\$ 460.58	1/ 65		
80-154WWPP 44 X 21	\$ 731.74	1/ 92		
80W124WWPP 44 X 28	\$ 320.99	1/ 27		
5/8"x3/4" METER				
80-236WDTT 33 X 18	\$ 468.66	1/ 47		
80-248WD22 33 X 18	\$ 522.07	1/ 83		
80-248JDPP 43X21	\$ 689.10	1/ 80		
80-248JDTT 43X21	\$ 708.61	1/ 82		
80-248WDPP 33 X 18	\$ 507.16	1/ 62		
80-248WXPP 33 X 18	\$ 465.92	1/ 65		
80W260WXPP 33 X 21	\$ 512.41	1/ 90		
80W276WDPP 33 X 18	\$ 682.15	1/ 90		
3/4" METER				
80-348WDPP 33 X 21	\$ 578.92	1/ 89		
80-348WXPP 33 X 21	\$ 510.82	1/ 88		
80W372JJ22 33 X 21	\$ 1/ 88			
80W372JJ22 44 X 21	\$ 806.53	1/ 129		
80W372JXPP 33X21X409	\$ 662.67	1/ 112		
80W372JX22 33X21X409	\$ 678.19	1/ 125		

	SIZE	PRICE	CTN/WT
1" METER			
80-436WDPP 44 X 21	\$ 635.41	1/ 61	
80-436WDTT 44 X 21	\$ 661.60	1/ 66	
80-448WDPP 44 X 24	\$ 738.94	1/ 109	
80-448WWPP 44 X 24	\$ 780.64	1/ 102	
80-448WXPP 44 X 24	\$ 668.20	1/ 108	
80-448WX22 44 X 21	\$ 672.09	1/ 86	
80W472WDPP 44 X 21	\$ 947.42	1/ 123	
80E448LDQP 44X21X404...	\$ 692.83	1/ 86	
1 1/2" METER			
80-648WDPP 660X36	\$2,174.30	1/ 152	
2" METER			
80-716WWPP 770X36	\$1,697.70	1/ 77	
80-748WDPP 770X36	\$2,356.18	1/ 206	
80-748WWPP 770X36	\$2,349.44	1/ 160	
80-779WDPP 770X36	\$3,219.03	1/ 250	
80R648WDPP 665X36	\$2,567.58	1/ 204	
80R736WWPP 775X36	\$2,337.54	1/ 140	
80R748WDPP 775X36	\$2,591.94	1/ 171	
80R748WWPP 775X36	\$2,585.17	1/ 169	
81-454WDPP 643X24	\$2,072.00	1/ 133	
86-360WDPP 33X21	\$638.66	1/ 105	
86-460WDPP 44X24	\$966.86	1/ 129	
86-772WWPP 770X36	\$2,876.50	1/ 233	
86R654WWPP 665X30	\$2,537.54	1/ 136	
88-466KKPP 44X21X408..	\$925.79	1/ 114	



* Meter Box & Frame Covers Sold Separately. Refer to pages 137-141.