

# SUBMITTAL DATA SHEET

Sump, Sewage, & Effluent Pumps  
DuraMAC™ | Guardian

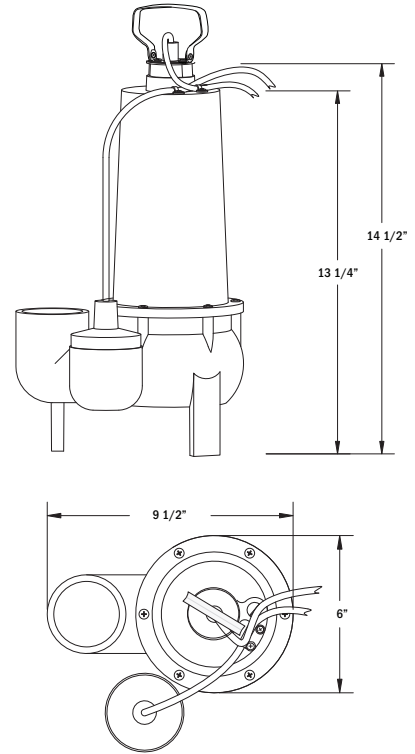
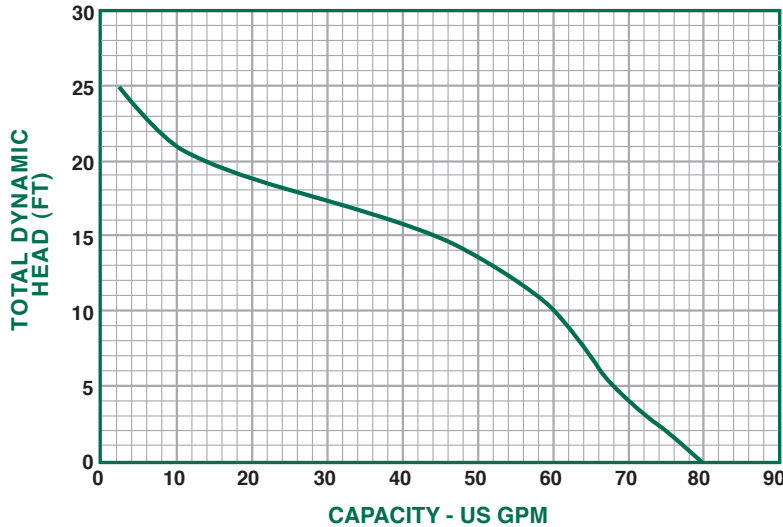
## 5050CTSJPACSDA Sewage Pump



See Pumps & Accessories  
Price List for Limited  
Warranty details.

This pre-assembled simplex sewage package with side discharge and alarm is designed to be used in any residential sewage application. With a 30 gallon capacity, 2" solids handling, and a 2" discharge pipe connected to the sewage pump, the package is ready to be installed.

### Performance Curve



### Performance

Model	Gallons per Minute in Feet					
	0	5	10	15	20	25
5050CTSJ25	80	68	60	44	13	2

### Specifications

Part No.	Model No.	HP	Volts	Hz	Amps	Construction	Discharge Size	Cord Length	Solids Handling	RPM	Phase	Wt.
6192-122	5050CTSJPACSDA	1/2	120	60	7.6	Cast Iron	2"	25'	2"	3450	1	62

### SUBMITTAL INFORMATION

- 5050CTSJ25 1/2 HP sewage pump with tethered switch
- 18" structural foam cover with gasket kit
- 18" x 30" durable structural foam sewage basin with 4" inlet with "Snap-in Hub"
- 2" Full Flow Check Valve with Rubber Boots
- 4" Snap-In-Hub with stainless steel clamp
- Stainless steel fasteners for cover
- 30" Long 2" PVC stub pipe
- Automatic alarm reset, silence switch, and alarm test switch, alarm enclosure rated for outdoor use
- NEMA 3R Tank alarm
- Non-clogging stainless steel vortex impeller

NO-LEAD: The weighted average of the wetted surface of this no-lead product contacted by consumable water contains less than one quarter of one percent (0.25%) lead.



A.Y. McDonald Mfg. Co.  
4800 Chavenelle Rd  
Dubuque, IA 52002

Toll Free: 1-800-292-2737  
sales@aymcdonald.com  
aymcdonald.com

A.Y. McDonald considers the information on this assembly drawing correct when published. Item and option availability, including specifications, are subject to change without notice.

Submitted by: