

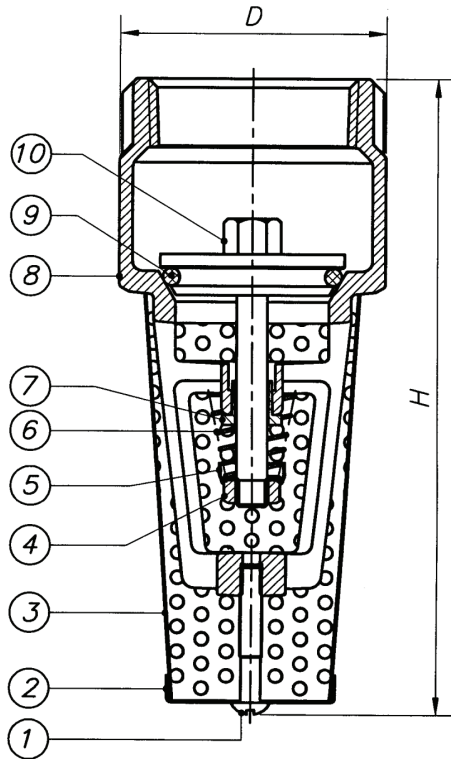
SUBMITTAL DATA SHEET

No-Lead Low Pressure Valves
Bronze Foot Valve – 72116T

FNPT



A.Y. McDonald Mfg. Co. No-Lead Low Pressure Valves are constructed from heavy duty no-lead bronze and are recommended for residential and commercial applications and positive shut-off with various inlet configurations.



Dimensions

Size	D	H
3/4"	1.50	3.46
1"	1.77	4.63
1 1/4"	2.13	5.04
1 1/2"	2.36	5.99
2"	3.03	7.36

Materials

No.	Part	Material
1	Filter Bolt	No-Lead Brass or Stainless-Steel (304)
2	Filter Holder	Stainless-Steel (304)
3	Filter	Stainless-Steel (304)
4	Stem Nut	No-Lead Brass or Stainless-Steel (304)
5	Spring Holder	Stainless-Steel (304)
6	Spring	Stainless-Steel (304)
7	Stem House	Formocon
8	Body	No-Lead Bronze (C89844 MOD)
9	O-ring	Rubber (NBR)
10	Stem	No-Lead Bronze (C89844 MOD)

SUBMITTAL INFORMATION

- 200 WOG
- Available Sizes: 3/4", 1", 1 1/4", 1 1/2", and 2"
- Stainless-Steel Screen
- End of line applications
- Complies with AB 1953

NO-LEAD: The weighted average of the wetted surface of this no-lead product contacted by consumable water contains less than one quarter of one percent (0.25%) lead.



A.Y. McDonald Mfg. Co.
4800 Chavenelle Rd
Dubuque, IA 52002

Toll Free: 1-800-292-2737
sales@aymcdonald.com
aymcdonald.com

A.Y. McDonald considers the information on this assembly drawing correct when published. Item and option availability, including specifications, are subject to change without notice.

Submitted by: