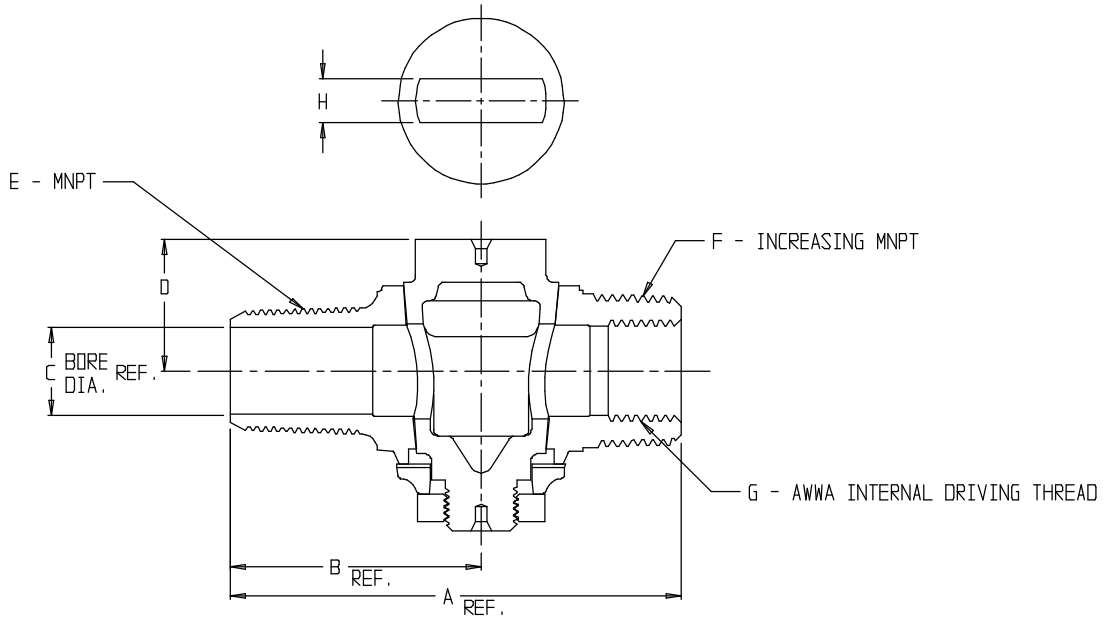


# SUBMITTAL DATA SHEET

NL Plug Style Corporation Stop – 73122

MNPT x Increasing MNPT



MODEL	SIZE	A	B	C	D	E	F	G	H
73122	1/2	3.13	1.74	.53	1.12	1/2	3/4	1/2	.34
73122	3/4	3.96	2.15	.75	1.13	3/4	1	3/4	.38
73122	1	4.26	2.40	1.00	1.41	1	1 1/4	1	.38

## SUBMITTAL INFORMATION

- Manufactured in compliance with ANSI/AWWA C800 (latest revision)
- Brass components in contact with potable water conform to ASTM B584, UNS C89833 (latest revision) and identified with “NL”
- Certified to NSF/ANSI 61 and NSF/ANSI 372
- Brass components not in contact with potable water conform to ASTM B62 and ASTM B584, UNS C83600 -85-5-5-5 (latest revision)
- Large wrench flats provided for proper installation
- Plug rotates 360°
- 1/2” – 1” rated for 100 PSIG water pressure
- 1 1/4” – 2” rated for 80 PSIG water pressure



**A.Y. McDonald Mfg. Co.**  
4800 Chavenelle Rd  
Dubuque, IA 52002

**Toll Free: 1-800-292-2737**  
sales@aymcdonald.com  
[aymcdonald.com](http://aymcdonald.com)

A.Y. McDonald considers the information on this assembly drawing correct when published. Item and option availability, including specifications, are subject to change without notice.

**Submitted by:**