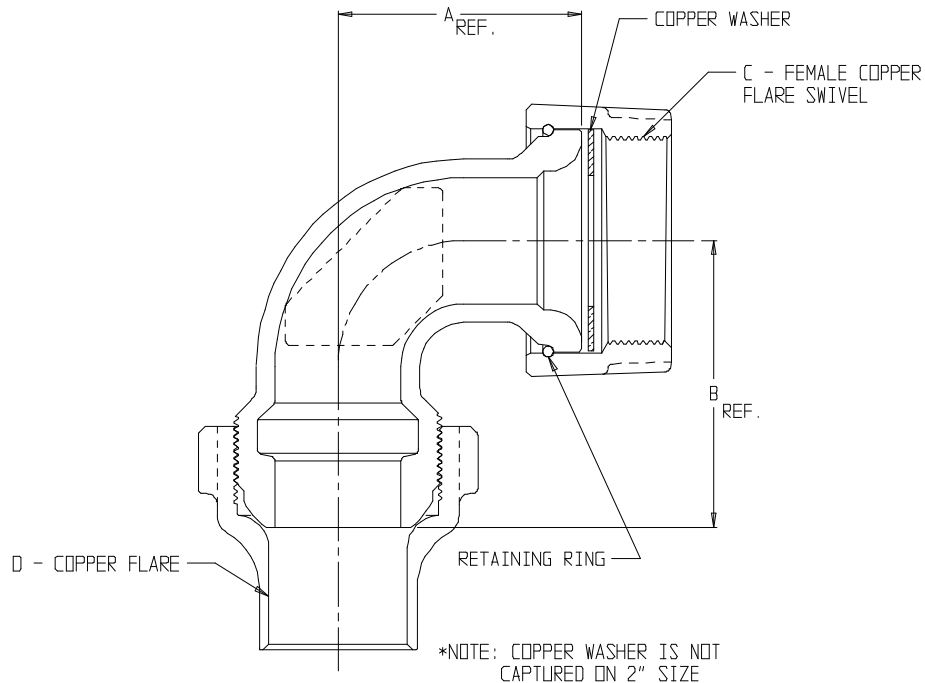


# SUBMITTAL DATA SHEET

NL Service Fitting – 74776S

Copper Flare x Female Copper Flare Swivel



MODEL	SIZE	A	B	C	D
74776S	3/4	1.96	2.13	3/4	3/4
74776S	1	2.10	2.30	1	1
74776S	1 1/2	2.90	3.41	1 1/2	1 1/2
*74776S	2	3.46	3.96	2	2

## SUBMITTAL INFORMATION

- Manufactured in compliance with ANSI/AWWA C800 (latest revision)
- Brass components in contact with potable water conform to ASTM B584, UNS C89833 (latest revision) and identified with “NL”
- Certified to NSF/ANSI 61 and NSF/ANSI 372
- Brass components not in contact with potable water conform to ASTM B62 and ASTM B584, UNS C83600 -85-5-5-5 (latest revision)
- Large wrench flats provided for proper installation



**A.Y. McDonald Mfg. Co.**  
4800 Chavenelle Rd  
Dubuque, IA 52002

**Toll Free: 1-800-292-2737**  
sales@aymcdonald.com  
[aymcdonald.com](http://aymcdonald.com)

A.Y. McDonald considers the information on this assembly drawing correct when published. Item and option availability, including specifications, are subject to change without notice.

**Submitted by:**