

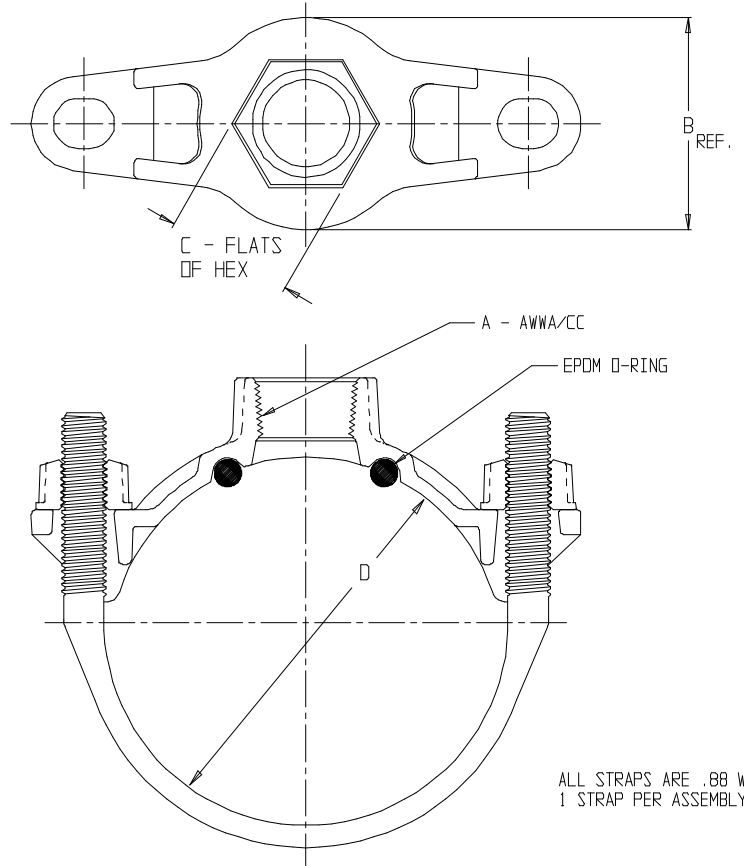
# SUBMITTAL DATA SHEET

## Silicon Bronze Strap Saddle - 3815

Ductile Iron/Cement-Asbestos/Cast Iron x AWWA/CC



MODEL	SIZE	A	B	C	D
3815	4 X 3/4	3/4	2.92	1.69	4.74 - 5.40
3815	4 X 1	1	2.92	1.69	4.74 - 5.40
3815	6 X 3/4	3/4	2.92	1.69	6.84 - 7.50
3815	6 X 1	1	2.92	1.69	6.84 - 7.50
3815	8 X 3/4	3/4	2.92	1.69	8.99 - 9.67
3815	8 X 1	1	2.92	1.69	8.99 - 9.67
3815	10 X 3/4	3/4	2.92	1.69	11.04 - 12.12
3815	10 X 1	1	2.92	1.69	11.04 - 12.12
3815	12 X 3/4	3/4	2.92	1.69	13.14 - 14.58
3815	12 X 1	1	2.92	1.69	13.14 - 14.58



### SUBMITTAL INFORMATION

- Manufactured in compliance with ANSI/AWWA C800 (latest revision)
- Brass components conform to ASTM B62 and ASTM B584, UNS C83600 -85-5-5-5 (latest revision)
- Certified to NSF/ANSI 61
- Silicon Bronze strap(s) and cast brass nuts with enlarged washer bearing surface
- EPDM o-ring
- Pipe and tap size, and thread type identified on saddle
- Outlet boss with large wrench flats



**A.Y. McDonald Mfg. CO.**  
4800 Chavenelle Rd  
Dubuque, IA 52002

**Toll Free: 1-800-292-2737**  
sales@aymcdonald.com  
[aymcdonald.com](http://aymcdonald.com)

A.Y. McDonald considers the information on this assembly drawing correct when published. Item and option availability, including specifications, are subject to change without notice.

**Submitted by:**