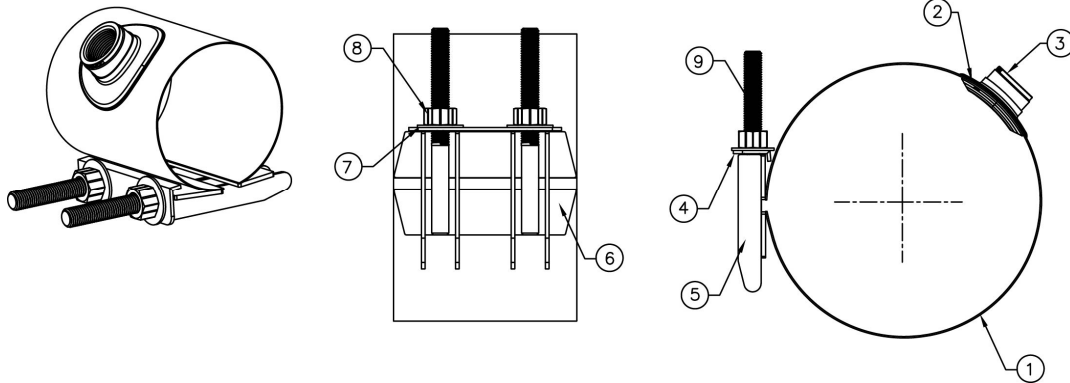


SUBMITTAL DATA SHEET

Stainless Steel Saddle – 8403

Nitrile Gasket 4" – 36" All Taps



PARTS AND MATERIAL

- | | |
|--------------------|---|
| 1. Saddle Body: | 18-8 type 304 Stainless Steel
Size 4" - 20 gauge
Size 6" – 8" - 20 gauge (3/4" to 1" outlets)
- 18 gauge (1 1/4" to 2" outlets)
Size 10" & 12" - 18 gauge

Size 4" – 12" - 6" width (3/4" to 1" outlets)
- 8" width (1 1/4" to 2" outlets) |
| 2. Gasket: | Pad gaskets are made from Nitrile meets ASTM D2000 STANDARD & NSF 61 |
| 3. Stainless Taps: | 18-8 type 304 Stainless Steel
Outlet Sizes – 3/4" to 2" AWWA (CC) or FNPT |
| 4. Lifter Bar: | 18-8 type 304 Stainless Steel |
| 5. Finger Bracket: | 18-8 type 304 Stainless Steel |
| 6. Side Bar: | 18-8 type 304 Stainless Steel |
| 7. Washer: | 18-8 type 304 Stainless Steel |
| 8. Nuts: | 5/8-11 Stainless Steel heavy hex nuts coated to prevent galling |
| 9. Studs: | 18-8 Stainless Steel 5/8" roll NC thread |

SUBMITTAL INFORMATION

- All components are made of 18-8 type 304 stainless steel
- Fully Passivated for corrosion resistance
- Lifter bar design – no loose parts for assembly
- Saddle size and outlet information clearly marked on each saddle
- Size from 4" to 12" one piece design
- Rated for 250 PSI working pressure
- Contact factory for additional options
- Bolt torque not to exceed 60 ft. lbs.
- 8403BW Belleville washer kit required for HDPE pipe.



A.Y. McDonald Mfg. Co.
4800 Chavenelle Rd
Dubuque, IA 52002

Toll Free: 1-800-292-2737
sales@aymcdonald.com
aymcdonald.com

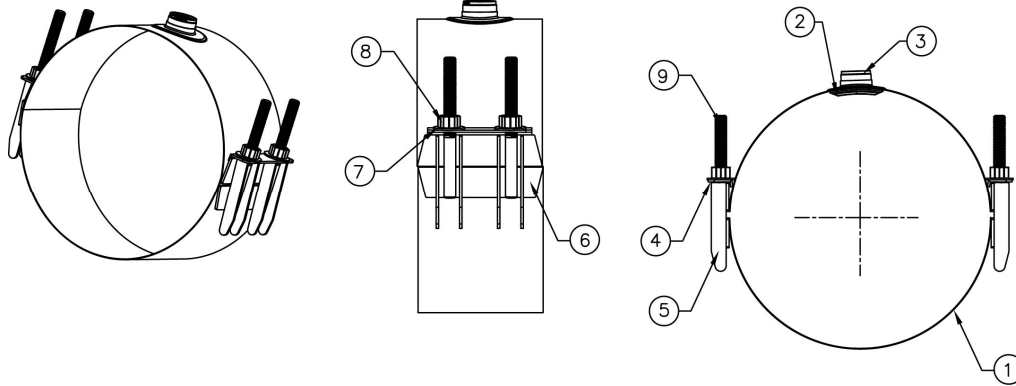
A.Y. McDonald considers the information on this assembly drawing correct when published. Item and option availability, including specifications, are subject to change without notice.

Submitted by:

SUBMITTAL DATA SHEET

Stainless Steel Saddle – 8403

Nitrile Gasket 4" – 36" All Taps



PARTS AND MATERIAL

- | | |
|--------------------|---|
| 1. Saddle Body: | 18-8 type 304 Stainless Steel
Size 14" & Larger - 18 gauge

Size 14" & Larger - 6" width (3/4" to 1" outlets)
- 8" width (1 1/4" to 2" outlets) |
| 2. Gasket: | Pad gaskets are made from Nitrile meets ASTM D2000 STANDARD & NSF 61 |
| 3. Stainless Taps: | 18-8 type 304 Stainless Steel
Outlet Sizes – 3/4" to 2" AWWA (CC) or FNPT |
| 4. Lifter Bar: | 18-8 type 304 Stainless Steel |
| 5. Finger Bracket: | 18-8 type 304 Stainless Steel |
| 6. Side Bar: | 18-8 type 304 Stainless Steel |
| 7. Washer: | 18-8 type 304 Stainless Steel |
| 8. Nuts: | 5/8-11 Stainless Steel heavy hex nuts coated to prevent galling |
| 9. Studs: | 18-8 Stainless Steel 5/8" roll NC thread |

SUBMITTAL INFORMATION

- All components are made of 18-8 type 304 stainless steel
- Fully Passivated for corrosion resistance
- Lifter bar design – no loose parts for assembly
- Saddle size and outlet information clearly marked on each saddle
- Size from 14" & Larger two piece design
- Rated for 250 PSI working pressure
- Contact factory for additional options
- Bolt torque not to exceed 60 ft. lbs.
- 8403BW Belleville washer kit required for HDPE pipe.



A.Y. McDonald Mfg. Co.
4800 Chavenelle Rd
Dubuque, IA 52002

Toll Free: 1-800-292-2737
Sales@aymcdonald.com
Aymcdonald.com

A.Y. McDonald considers the information on this assembly drawing correct when published. Item and option availability, including specifications, are subject to change without notice.

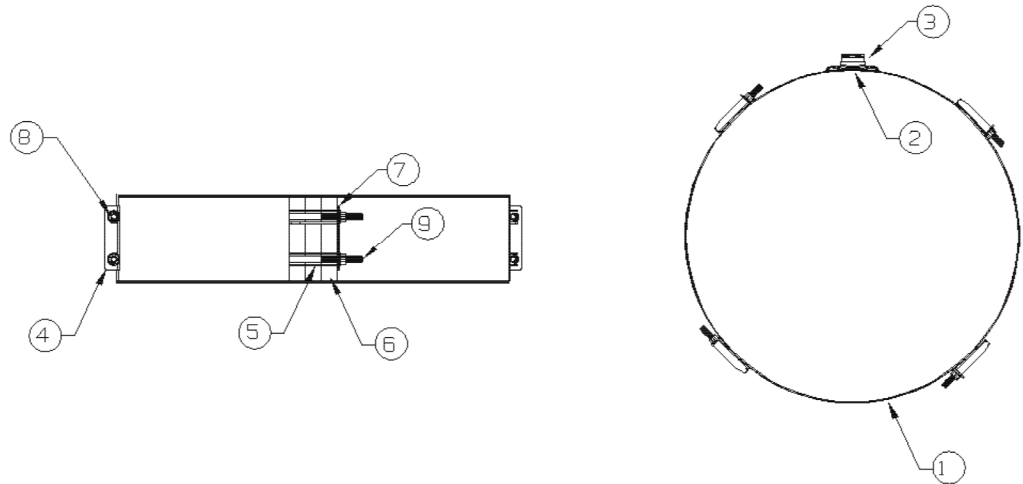
Submitted by:

03-17

SUBMITTAL DATA SHEET

Stainless Steel Saddle – 8403

Nitrile Gasket 4" – 36" All Taps



PARTS AND MATERIAL

- | | |
|--------------------|--|
| 1. Saddle Body: | 18-8 type 304 Stainless Steel
Size 12" & Larger - 18 gauge

Size 12" & Larger - 8" width (3/4" to 2" outlets) |
| 2. Gasket: | Pad gaskets are made from Nitrile meets ASTM D2000 STANDARD & NSF 61 |
| 3. Stainless Taps: | 18-8 type 304 Stainless Steel
Outlet Sizes – 3/4" to 2" AWWA (CC) or FNPT |
| 4. Lifter Bar: | 18-8 type 304 Stainless Steel |
| 5. Finger Bracket: | 18-8 type 304 Stainless Steel |
| 6. Side Bar: | 18-8 type 304 Stainless Steel |
| 7. Washer: | 18-8 type 304 Stainless Steel |
| 8. Nuts: | 5/8-11 Stainless Steel heavy hex nuts coated to prevent galling |
| 9. Studs: | 18-8 Stainless Steel 5/8" roll NC thread |

SUBMITTAL INFORMATION

- All components are made of 18-8 type 304 stainless steel
- Fully Passivated for corrosion resistance
- Lifter bar design – no loose parts for assembly
- Saddle size and outlet information clearly marked on each saddle
- Size from 14" & Larger two piece design
- Size from 12" & Larger four piece design
- Rated for 250 PSI working pressure
- Contact factory for additional options
- Bolt torque not to exceed 60 ft. lbs.
- 8403BW Belleville washer kit required for HDPE pipe.



A.Y. McDonald Mfg. Co.
4800 Chavenelle Rd
Dubuque, IA 52002

Toll Free: 1-800-292-2737
Sales@aymcdonald.com
Aymcdonald.com

A.Y. McDonald considers the information on this assembly drawing correct when published. Item and option availability, including specifications, are subject to change without notice.

Submitted by:

03-17