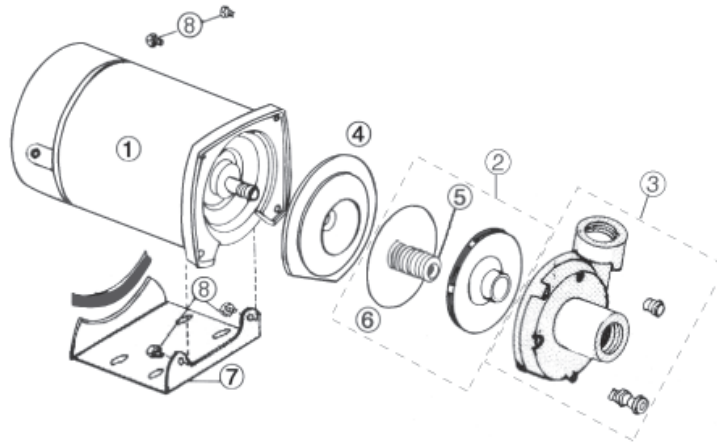


SUBMITTAL DATA SHEET

Pump Repair Parts

92000 / 93000 Series Repair Parts



Pipe plugs & pet cock (drain) are included with volute assemblies.

1 Repair Motor			2 Impeller / Seal Kit		3 Volute Assembly	
Pump Model	Model #	Part #	Model #	Part #	Model #	Part #
92030	92050RM	6712-258	92050RK	6712-046	92100RV	6712-262
92050	92050RM	6712-258	92050RK	6712-046	92100RV	6712-262
92070	92070RM	6712-257	92070RK	6712-045	92100RV	6712-262
92100	92100RM	6712-256	92100RK	6712-044	92100RV	6712-262
92150	92150RM	6712-255	92150RK	6712-043	92100RV	6712-262
92200	92200RM	6712-254	92200RK	6712-042	92200RV	6712-261
92250	92250RM	6712-253	92250RK	6712-041	92300RV	6712-260
92300	92300RM	6712-252	92300RK	6712-040	92300RV	6712-260

Model #	Part #	Ref #	Description
92000SP	6712-250	4	Seal Plate
92000RS	6712-268	5	Rotary seal
92000RO	6712-267	6	O-ring for seal plate
92000MB	6712-251	7	Mounting base
---	3100-565	8	Hex cap screws

NO-LEAD: The weighted average of the wetted surface of this no-lead product contacted by consumable water contains less than one quarter of one percent (0.25%) lead.



A.Y. McDonald Mfg. Co.
4800 Chavenelle Rd
Dubuque, IA 52002

Toll Free: 1-800-292-2737
sales@aymcdonald.com
aymcdonald.com

A.Y. McDonald considers the information on this assembly drawing correct when published. Item and option availability, including specifications, are subject to change without notice.

Submitted by: