

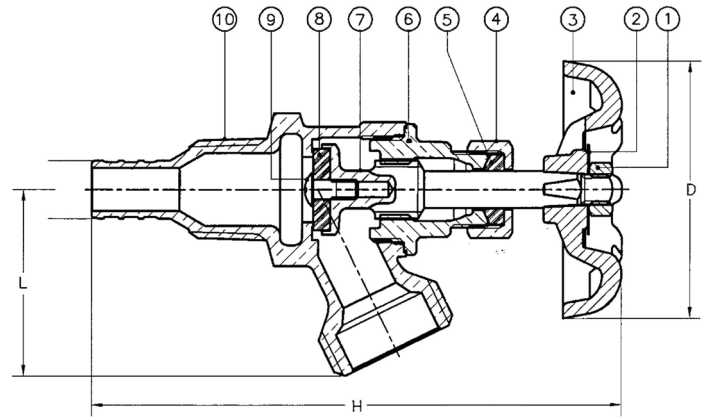
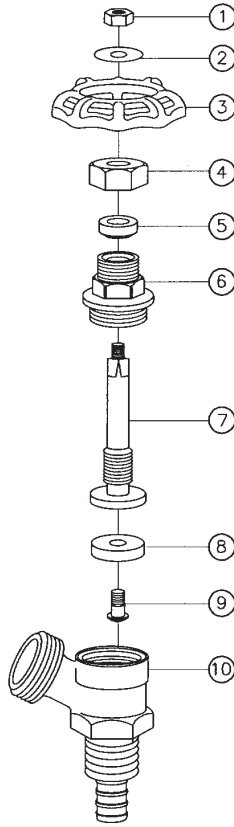
SUBMITTAL DATA SHEET

No-Lead Boiler Drain – 72008P

Pex or MNPT X MGHT



A.Y. McDonald Mfg. Co. boiler drains are constructed from heavy duty no-lead brass and are recommended for residential and commercial applications and positive shut-off with various inlet configurations.



Dimensions

Part No.	Model No.	Description	D	H	L
5420-200	72008P	1/2" Pex or MNPT x 3/4" MGHT	2.09	4.33	1.46
5423-488	72008P	3/4" Pex or MNPT x 3/4" MGHT	2.09	4.37	1.46

Materials

No.	Part	Material
1	Wheel Nut	Steel
2	Name Plate	Aluminum
3	Handle	Cast Iron
4	Packing Nut	No-Lead Brass (C37700)
5	Packing	Rubber (NBR)
6	Bonnet	No-Lead Brass (C46400)
7	Stem	No-Lead Brass (C46400)
8	Seat Packing	Rubber (NBR)
9	Screw	No-Lead Brass (C26000)
10	Body	No-Lead Brass (C46400)

SUBMITTAL INFORMATION

- Maximum Temperature Rating: 160°F
- Maximum Pressure Rating: 125 PSI
- Available Sizes: 1/2" and 3/4"
- Pex End conforms to ASTM F1807
- Complies with NSF/ANSI 372-2010
- MNPT Thread - ANSI/ASME B1.20.1

NO-LEAD: The weighted average of the wetted surface of this no-lead product contacted by consumable water contains less than one quarter of one percent (0.25%) lead.



A.Y. McDonald Mfg. Co.
4800 Chavenelle Rd
Dubuque, IA 52002

Toll Free: 1-800-292-2737
sales@aymcdonald.com
aymcdonald.com

A.Y. McDonald considers the information on this assembly drawing correct when published. Item and option availability, including specifications, are subject to change without notice.

Submitted by: