

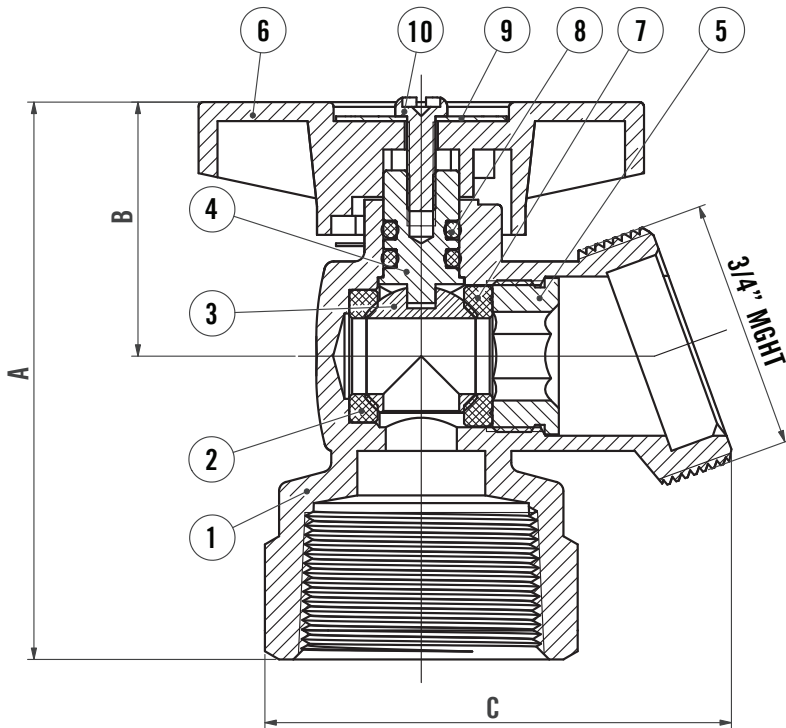
SUBMITTAL DATA SHEET

No-Lead
Boiler Drain – 72004QT

FNPT X MGHT



A.Y. McDonald Mfg. Co. No-Lead Low Pressure Valves are constructed from heavy duty no-lead brass and are recommended for residential and commercial applications and positive shut-off with various inlet configurations.

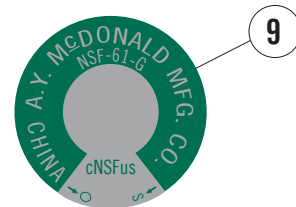


Dimensions

Size	A	B	C
1/2"	2.28"	1.06"	1.83"
3/4"	2.32"	1.06"	1.94"

Materials

No.	Part	Material
1	Valve Body	No-Lead Brass (C46500)
2	Seal Ring	PTFE
3	Ball	Chrome Plated/No-Lead Brass (C46500)
4	Stem	Brass (C69300)
5	Bonnet	No-Lead Brass (C46500)
6	Handle	Aluminum
7	Seal Ring	PTFE
8	O-ring	EPDM
9	Name Plate	Aluminum
10	Cross Screw	Stainless-Steel 304 (SS304)



SUBMITTAL INFORMATION

- 125 WOG
- Available Sizes: 1/2", 3/4"
- Quarter turn operation
- Pressure Rating: 250 PSI



NO-LEAD: The weighted average of the wetted surface of this no-lead product contacted by consumable water contains less than one quarter of one percent (0.25%) lead.



A.Y. McDonald Mfg. Co.
4800 Chavenelle Rd
Dubuque, IA 52002

Toll Free: 1-800-292-2737
sales@aymcdonald.com
aymcdonald.com

A.Y. McDonald considers the information on this assembly drawing correct when published. Item and option availability, including specifications, are subject to change without notice.

Submitted by: