

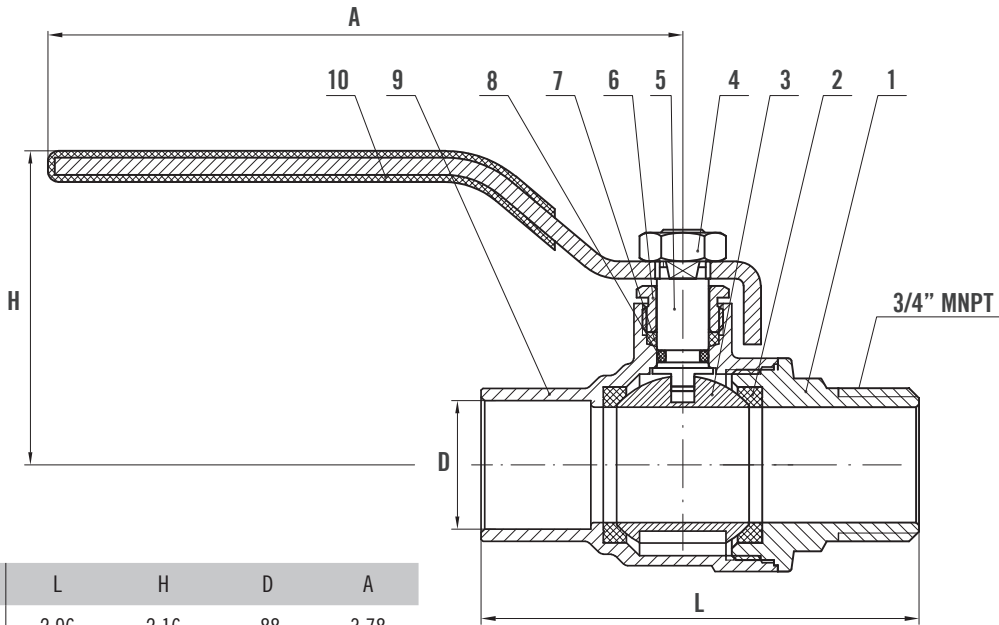
SUBMITTAL DATA SHEET

No-Lead
Full Port Ball Valve – 72031

SWT x MNPT



A.Y. McDonald Mfg. Co. No-Lead Ball Valves are constructed from heavy duty no-lead brass and can be used with a full range of liquids and gases in commercial, industrial, and residential applications. Full port valves allow for maximum flow with minimum pressure drop.



Dimensions

Size	L	H	D	A
3/4"	2.96	2.16	.88	3.78

Materials

No.	Part	Material
1	Bonnet	No-Lead Brass (C46500)
2	Seal Ring	PTFE
3	Ball	No-Lead Brass (C46500)
4	Lever Nut	Steel
5	Stem	No-Lead Brass (C46500)

No.	Part	Material
6	Hex Nut	Brass
7	Packing	PTFE
8	O-ring	EPDM
9	Valve Body	No-Lead Brass (C46500)
10	Handle	Steel

SUBMITTAL INFORMATION

- 600 WOG
- Blowout proof stem
- Pressure Rating: 250 PSI
- Manufactured to MSS-SP-110
- Threads conform to ANSI B1.20.1
- Solder ends comply to ANSI B16.18



NO-LEAD: The weighted average of the wetted surface of this no-lead product contacted by consumable water contains less than one quarter of one percent (0.25%) lead.



A.Y. McDonald Mfg. Co.
4800 Chavenelle Rd
Dubuque, IA 52002

Toll Free: 1-800-292-2737
sales@aymcdonald.com
aymcdonald.com

A.Y. McDonald considers the information on this assembly drawing correct when published. Item and option availability, including specifications, are subject to change without notice.

Submitted by: