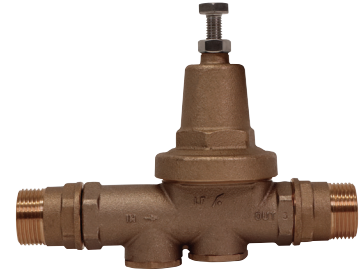


# SUBMITTAL DATA SHEET

## No-Lead Water Pressure Reducing Valves - 72600M

Water Meter Thread (NPSM) x Water Meter Thread (NPSM)



A.Y. McDonald Mfg. Co. Pressure Reducing Valves (PRV's) are designed for installation on potable water lines to reduce incoming water pressure in order to protect plumbing system components. Model 72600 PRV's are suitable for water supply pressures up to 300 PSI and the adjustable outlet pressure can be adjusted from 25 - 75 PSI (factory set at 50 PSI). This model also has a standard bypass feature that permits flow of water back through the valve and into the main when pressure from thermal expansion exceeds the main supply pressure. Model 72600 PRV's are fully serviceable without removing the valve from the line.



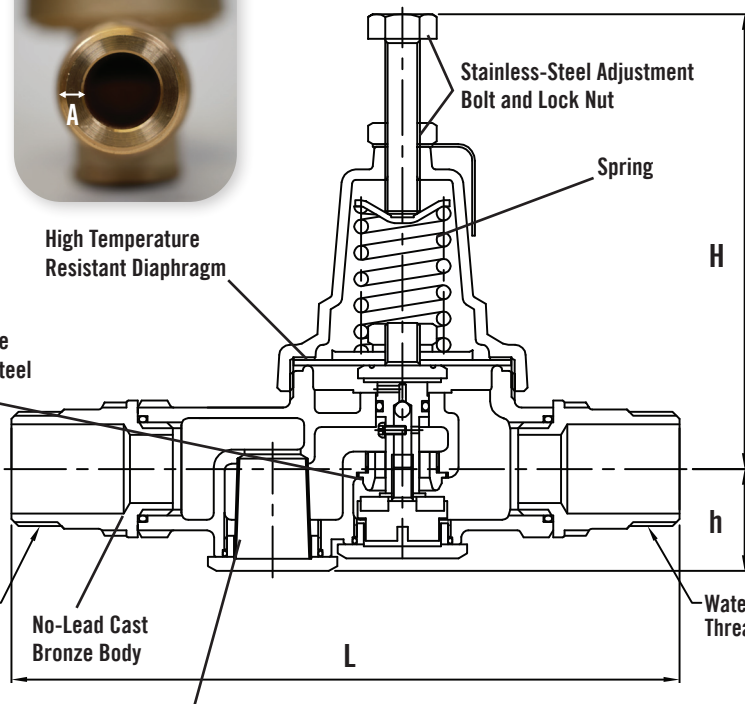
High Temperature Resistant Diaphragm

Replaceable Stainless-Steel Seat Disc

Water Meter Thread/NPSM

No-Lead Cast Bronze Body

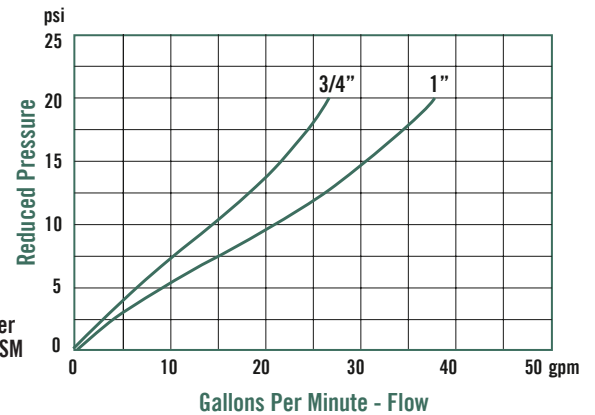
Removable, Integral Stainless-Steel Strainer



### Dimensions

Water Meter Thread Size	NPSM	L	H	h	A
3/4"	1"	7.50"	5.12"	1.14"	0.15"
1"	1 1/4"	7.50"	5.71"	1.54"	0.24"

### Capacity:



### SUBMITTAL INFORMATION

- Maximum working pressure 300 PSI
- Maximum working temperature 180°F
- Factory preset at 50 PSI
- Adjustable outlet pressure range: 25 to 75 PSI

- Serviceable in-line
- Equipped with a thermal expansion bypass
- For new or existing tandem meter setter, pit and box installations

#### Compliance:

- ASSE 1003 
- NSF/ANSI/CAN 61 & 372 

NO-LEAD: The weighted average of the wetted surface of this no-lead product contacted by consumable water contains less than one quarter of one percent (0.25%) lead.



**A.Y. McDonald Mfg. Co.**  
4800 Chavenelle Rd  
Dubuque, IA 52002

**Toll Free: 1-800-292-2737**  
sales@aymcdonald.com  
aymcdonald.com

A.Y. McDonald considers the information on this assembly drawing correct when published. Item and option availability, including specifications, are subject to change without notice.

Submitted by: