

SUBMITTAL DATA SHEET

Sump, Sewage, & Effluent Pumps
DuraMAC™ | Guardian

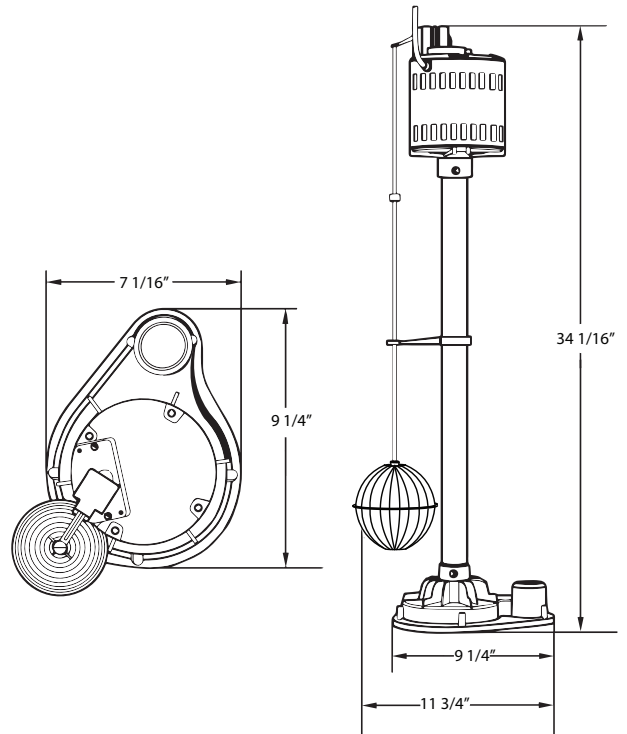
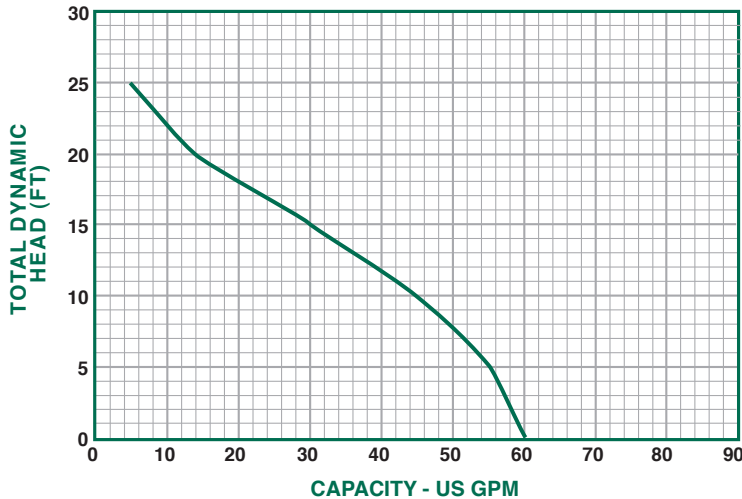
5050CVPD Sump Pump



See Pumps & Accessories
Price List for Limited
Warranty details.

The 5050CVPD is designed for use in sump basins 12" or larger. It has a strong cast iron base construction and will handle liquids up to 180°F.

Performance Curve



Performance

Model	Gallons per Minute in Feet					
	0	5	10	15	20	25
5050CVPD	60	55	45	30	12	5

Specifications

Part No.	Model No.	HP	Amps	Base Material	Discharge Size	Column Material	Impeller Material	Cord Length	Wt.
6196-001	5050CVPD	1/2	3.06	Cast Iron	1 1/2"	Stainless Steel	Stainless Steel	10'	28

SUBMITTAL INFORMATION

- Fully adjustable automatic switch
- Metal switch arm for strength and durability
- 1 1/2" discharge for high capacity pumping
- Non-corrosive stainless steel drive shaft, impeller & float ball

***Non-submersible pump! Motor cannot get wet.**



NO-LEAD: The weighted average of the wetted surface of this no-lead product contacted by consumable water contains less than one quarter of one percent (0.25%) lead.



A.Y. McDonald Mfg. Co.
4800 Chavenelle Rd
Dubuque, IA 52002

Toll Free: 1-800-292-2737
sales@aymcdonald.com
aymcdonald.com

A.Y. McDonald considers the information on this assembly drawing correct when published. Item and option availability, including specifications, are subject to change without notice.

Submitted by: