

SUBMITTAL DATA SHEET

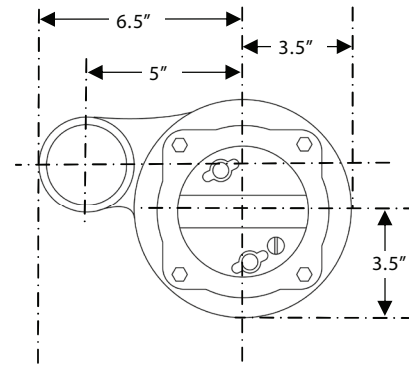
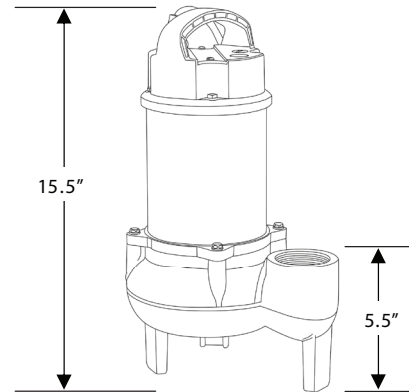
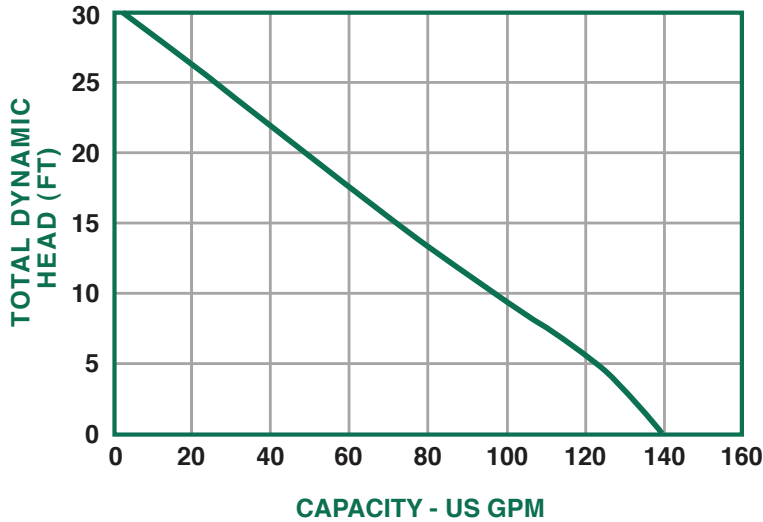
Sump, Sewage, & Effluent Pumps
 DuraMAC™ | Guardian
5050CTSJ15, 5050CVSJ15 & 5050CTSJH25
1/2 HP High Volume Sewage Pump



See Pumps & Accessories
 Price List for Limited
 Warranty details.

This high quality and dependable pump features a stainless steel housing and a cast iron base. With a built-in thermal overload protection for safety and a permanent split capacitor continuous duty motor. Convenient carrying handle is attached.

Performance Curve



Performance

Model	Gallons per Minute in Feet						
5050CTSJ15	0	5	10	15	20	25	30
5050CVSJ15	140	123	97	72	49	25	3
5050CTSJH25							

Specifications

Part No.	Model No.	HP	Volts	Hz	Amps	Construction	Discharge Size	Cord Length	Solids Handling	Switch	Phase	Wt.
6192-128	5050CTSJ15	1/2	120	60	12	Cast Iron / Stainless Steel	2"	15'	2"	Tethered	1	25
6192-129	5050CVSJ15	1/2	120	60	12	Cast Iron / Stainless Steel	2"	15'	2"	Vertical	1	25
6192-133	5050CTSJH25	1/2	120	60	12	Cast Iron / Stainless Steel	2"	25'	2"	Vertical	1	25

SUBMITTAL INFORMATION

- Split Capacitor Motor - 1/2 HP continuous duty, thermal protected
- Lifts water up to 30' of vertical height
- 15' power cord & 25' option
- Large 2" discharge for high capacity pumping
- Easily handles 2" solids
- Non-clogging stainless steel vortex impeller
- Vertical, tethered, or no float switch



NO-LEAD: The weighted average of the wetted surface of this no-lead product contacted by consumable water contains less than one quarter of one percent (0.25%) lead.



A.Y. McDonald Mfg. Co.
 4800 Chavenelle Rd
 Dubuque, IA 52002

Toll Free: 1-800-292-2737
 sales@aymcdonald.com
 aymcdonald.com

A.Y. McDonald considers the information on this assembly drawing correct when published. Item and option availability, including specifications, are subject to change without notice.

Submitted by: