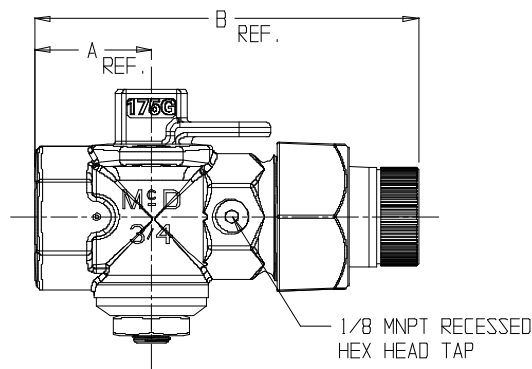
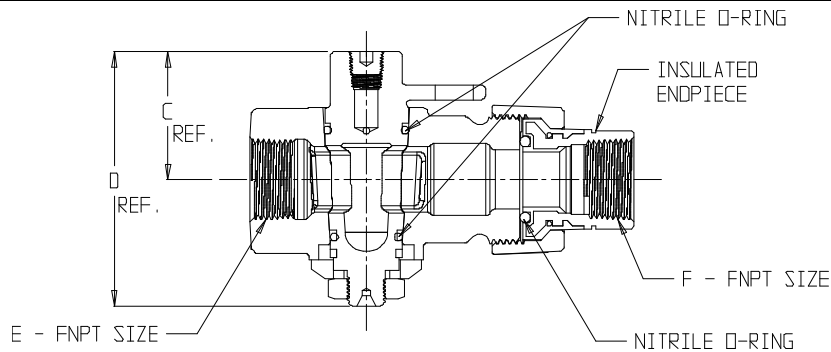


SUBMITTAL DATA SHEET

Iron Body Gas Plug Valves w/Lockwing-6276BD Series

FNPT x FNPT Union



| MODEL | SIZE | A | B | C | D | E | F |
|--------|------|------|------|------|------|-----|-----|
| 6276BD | 3/4 | 1.53 | 5.05 | 1.68 | 3.34 | 3/4 | 3/4 |
| 6276BD | 1 | 1.68 | 5.82 | 1.82 | 3.69 | 1 | 1 |

SUBMITTAL INFORMATION

- Manufactured in compliance with ANSI/ASME B16.33 (latest revision)
- Brass castings conform to ASTM B584, UNS C83600 or C84400 (latest revision)
- Iron castings conform to ASTM A126 Class B Iron
- Optional Armorgalv[®] coating per ASTM A1059 (latest revision)
- Rated for 175 PSIG natural, manufactured, or LP gas pressure
- Valve can be re-lubricated while in service and under pressure
- Plug rotates 360°
- Tamper-resistant design prevents disassembly with normal household tools
- Port opening sized to accommodate the best-known stop changers
- Lockwing design accommodates standard barrel locks



A.Y. McDonald Mfg. Co.
4800 Chavenelle Rd
Dubuque, IA 52002

Toll Free: 1-800-292-2737
sales@aymcdonald.com
aymcdonald.com

A.Y. McDonald considers the information on this assembly drawing correct when published. Item and option availability, including specifications, are subject to change without notice.

Submitted by: