

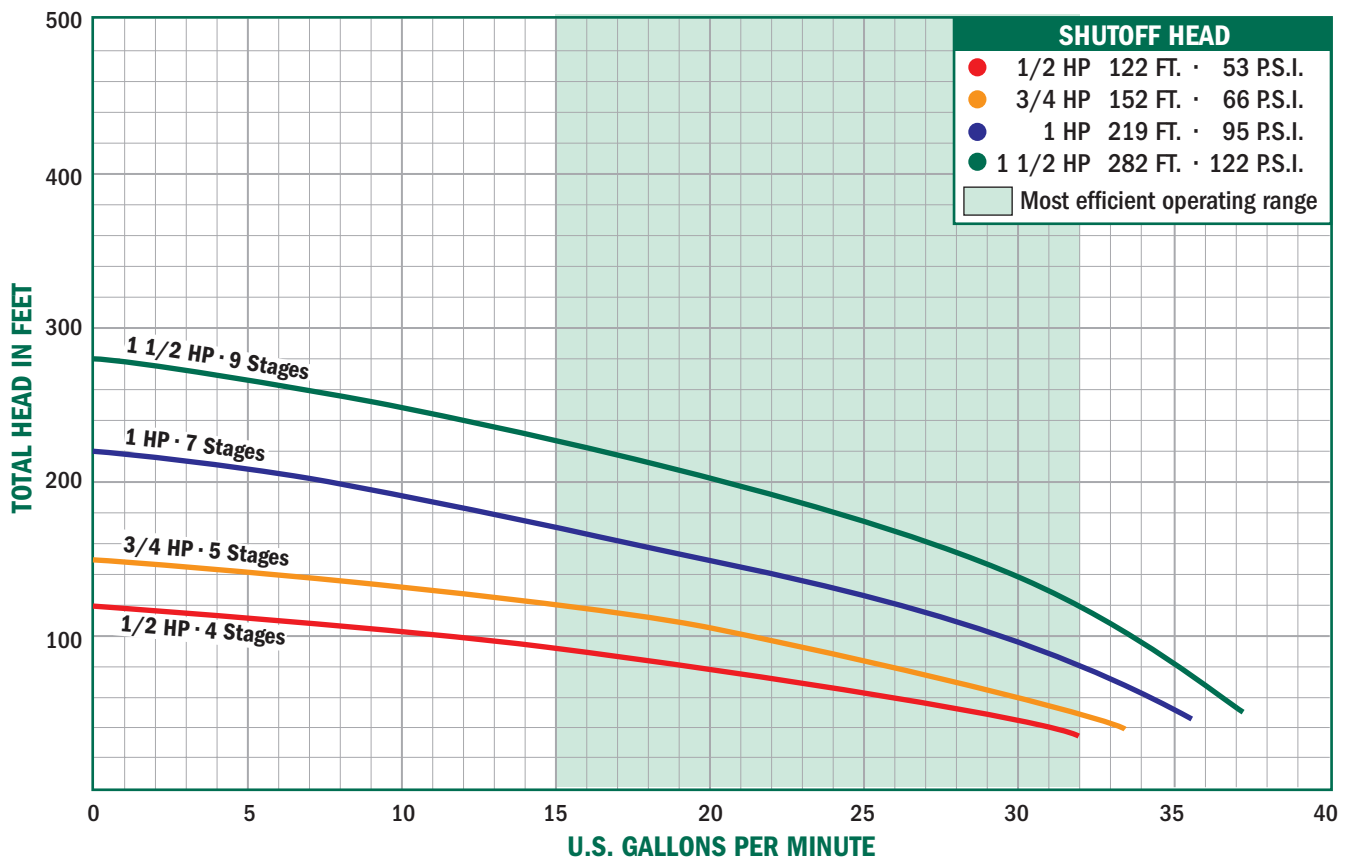
SUBMITTAL DATA SHEET

22000 Series
 4" No-Lead Thermoplastic Submersible Pumps
M - 25 GPM



A.Y. McDonald offers a full line of thermoplastic submersible pumps built for years of trouble free operation, with high-efficiency impellers and diffusers. These submersibles offer peak capacity performance in 5, 7, 10, 15, 20, and 25 gallons per minute (GPM). Other features include thermoplastic discharge head with a built-in check valve, and stainless steel shaft and coupling.

All Thermoplastic pumps have 1 1/4" discharge with internal check valve and sizes range from 1/2 to 1 1/2 horsepower (HP). Two or three wire models up to 1 1/2 horsepower (HP).



NO-LEAD: The weighted average of the wetted surface of this no-lead product contacted by consumable water contains less than one quarter of one percent (0.25%) lead.



A.Y. McDonald Mfg. Co.
 4800 Chavenelle Rd
 Dubuque, IA 52002

Toll Free: 1-800-292-2737
 sales@aymcdonald.com
 aymcdonald.com

A.Y. McDonald considers the information on this assembly drawing correct when published. Item and option availability, including specifications, are subject to change without notice.

Submitted by:

SUBMITTAL DATA SHEET

22000 Series 4" No-Lead Thermoplastic Submersible Pumps M - 25 GPM



Two Wire Single Phase

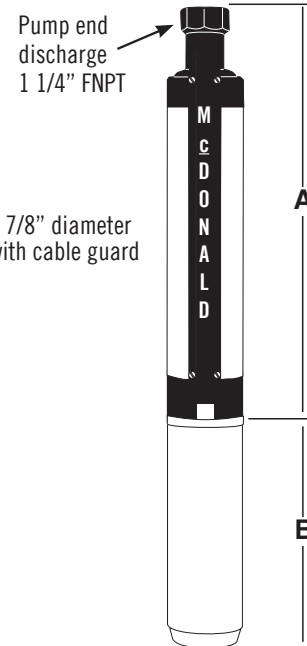
Part No.	Model No.	HP	Stages	Volt	A	B	Wt.
6634-240	22050M2A	1/2	4	115	10.9"	13.4"	22.4
6634-239	22050M2	1/2	4	230	10.9"	13.0"	21.2
6634-246	22075M2	3/4	5	230	12.5"	13.8"	25.1
6634-250	22100M2	1	7	230	14.6"	16.8"	35.0
6634-254	22150M2	1 1/2	9	230	16.8"	18.5"	37.9

Three Wire Single Phase

Part No.	Model No.	HP	Stages	Volt	A	B	Wt.
6634-244	22050M3A	1/2	4	115	10.9"	9.5"	25.5
6634-242	22050M3	1/2	4	230	10.9"	10.5"	25.5
6634-248	22075M3	3/4	5	230	12.5"	11.3"	28.9
6634-252	22100M3	1	7	230	14.2"	13.6"	31.9
6634-256	22150M3	1 1/2	9	230	16.8"	16.2"	41.8

4" Thermoplastic Pump Ends

Part No.	Model No.	HP	Wt.
6634-238	22050M	1/2	5
6634-245	22075M	3/4	5
6634-249	22100M	1	6
6634-253	22150M	1 1/2	7



** All three wire pumps are available in three phase by selecting pump end and appropriate motor and starter kit.

Output - in Gallons Per Minute (Depth to Water)

1/2 HP	PSI	25'	50'	75'	100'
	0	34.97	29.23	22.43	13.64
	30	15.93	2.93		
	40	4.38			

3/4 HP	PSI	25'	50'	75'	100'	125'	150'
	0	36.08	31.97	27.33	21.88	14.91	2.74
	30	23.22	16.71	6.80			
	40	17.27	7.85				
	50	8.81					

FRICION LOSSES IN RISER PIPE
HAVE NOT BEEN CALCULATED

1 HP	PSI	25'	50'	75'	100'	125'	150'	175'	200'
	0	38.23	35.39	32.34	29.02	25.34	21.13	16.10	9.38
	30	29.81	26.22	22.15	17.35	11.16			
	40	26.50	22.48	17.75	11.71	1.28			
	50	22.80	18.14	12.24	2.61				
	60	18.53		3.73					

1 1/2 HP	PSI	25'	50'	75'	100'	125'	150'	175'	200'	225'	250'	275'
	0	40.00	37.82	35.52	33.08	30.47	27.63	24.52	21.01	16.91	11.76	3.56
	30	33.65	31.08	28.30	25.26	21.85	17.91	13.07	6.06			
	40	31.28	28.52	25.50	22.13	18.24	13.49	6.76				
	50	28.74	25.74	22.40	18.56	13.90	7.42					
	60	25.98		18.87	14.29	8.04						

NO-LEAD: The weighted average of the wetted surface of this no-lead product contacted by consumable water contains less than one quarter of one percent (0.25%) lead.



A.Y. McDonald Mfg. Co.
4800 Chavenelle Rd
Dubuque, IA 52002

Toll Free: 1-800-292-2737
sales@aymcdonald.com
aymcdonald.com

A.Y. McDonald considers the information on this assembly drawing correct when published. Item and option availability, including specifications, are subject to change without notice.

Submitted by: