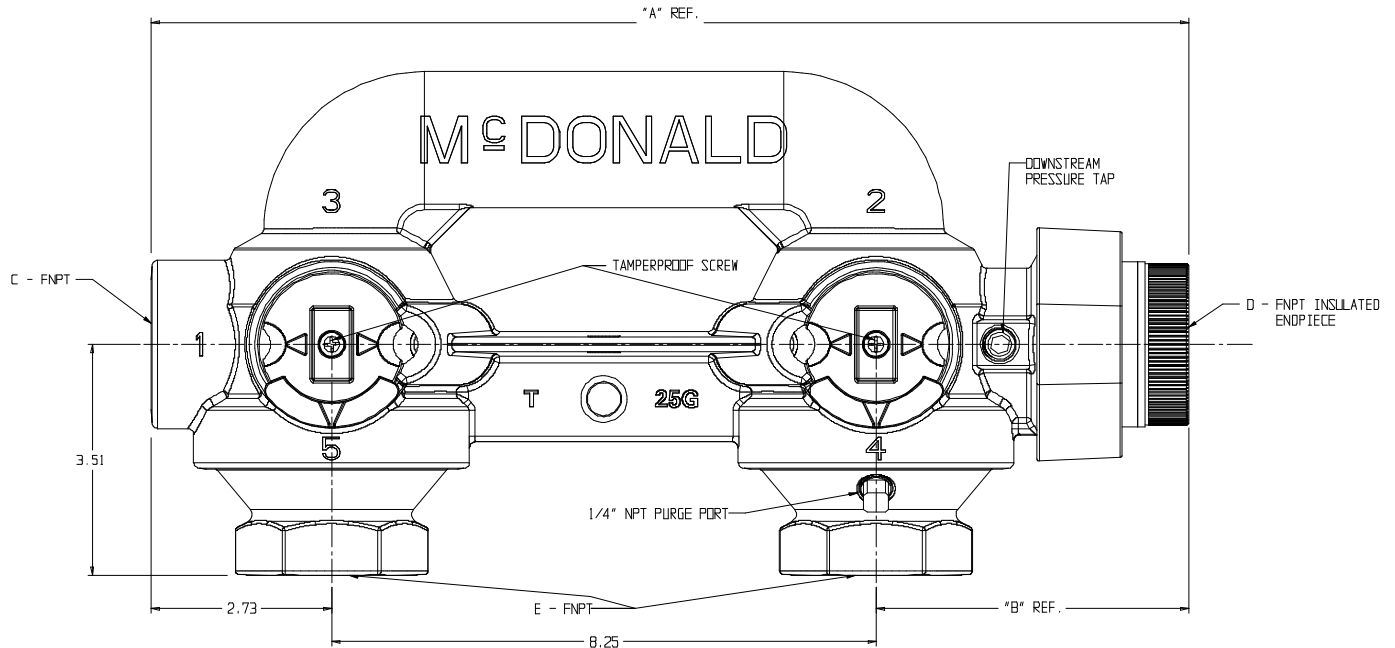


SUBMITTAL DATA SHEET

Gas Meter Bars – 6480-CCD

FNPT X FNPT INSULATED UNION



SIZE	A	B	C	D	E
1 1/4 X 1 1/4 X 1 1/4	15.67	4.69	1 1/4	1 1/4	1 1/4
1 1/2 X 1 1/2 X 1 1/2	15.71	4.74	1 1/2	1 1/2	1 1/2

SUBMITTAL INFORMATION

- Iron castings conform to ASTM A126 Class B Iron
- Optional Armorgalv® coating per ASTM A1059 (latest revision)
- Brass castings conform to ASTM B584, UNS C83600 or C84400 (latest revision)
- Pipe threads manufactured in compliance with ASME/ANSI B1.20.1 (latest revision)
- Rated for 25 PSIG natural, manufactured, or LP gas pressure
- Tamper-resistant design prevents disassembly with normal household tools
- Design accommodates standard barrel locks
- Pressure test taps available in multiple positions and sizes



A.Y. McDonald Mfg. Co.
4800 Chavenelle Rd
Dubuque, IA 52002

Toll Free: 1-800-292-2737
sales@aymcdonald.com
aymcdonald.com

A.Y. McDonald considers the information on this assembly drawing correct when published. Item and option availability, including specifications, are subject to change without notice.

Submitted by:

02-22