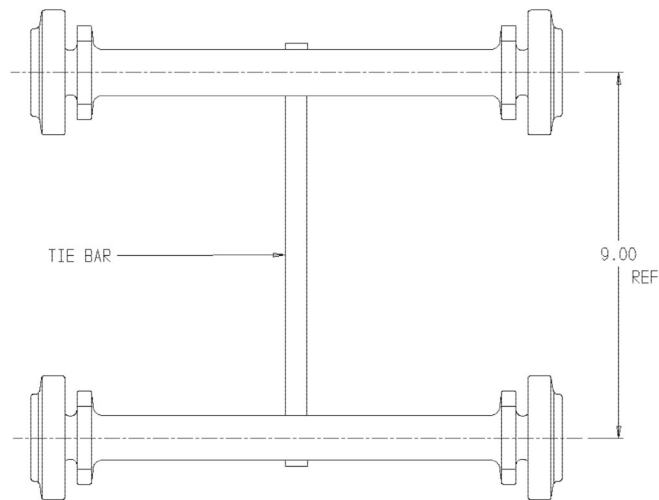


SUBMITTAL DATA SHEET

Iron Meter Yoke Bar – 14-4-4TB

Twin Iron Yoke Bars



SUBMITTAL INFORMATION

- Powder coated cast iron yoke bar conforms to ASTM A126 Class B (latest revision)
- Designed to provide proper meter spacing for ease of installation



A.Y. McDonald Mfg. Co.
4800 Chavenelle Rd
Dubuque, IA 52002

Toll Free: 1-800-292-2737
sales@aymcdonald.com
aymcdonald.com

A.Y. McDonald considers the information on this assembly drawing correct when published. Item and option availability, including specifications, are subject to change without notice.

Submitted by: