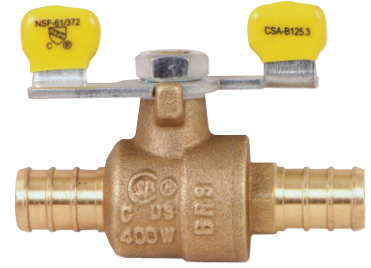


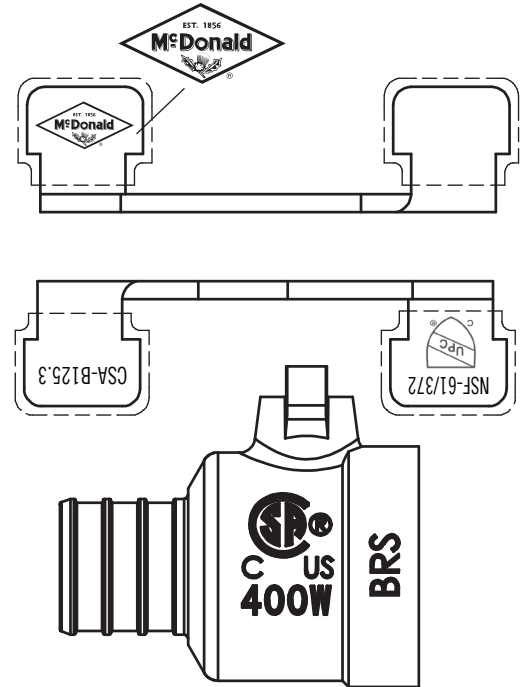
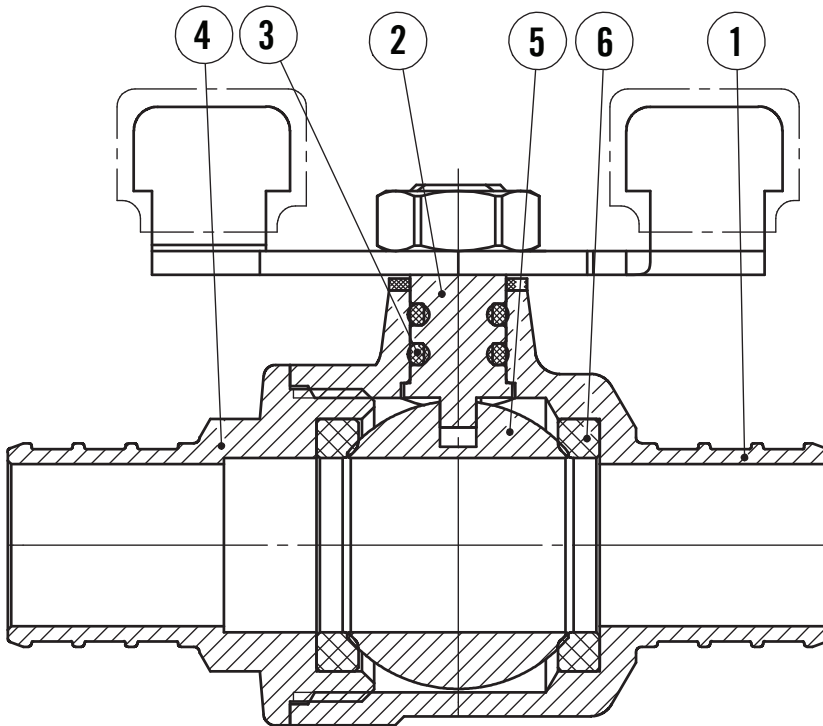
SUBMITTAL DATA SHEET

No-Lead
Ball Valve with Tee Handle - 72030EPX

Pex x Pex



A.Y. McDonald Mfg. Co. No-Lead Pex Ball Valves are constructed from heavy duty no-lead brass and are designed for use with potable water in commercial, industrial, and residential applications.



Materials

No.	Part	Material	No.	Part	Material
1	Valve Body	No-Lead Brass (C46500)	4	Bonnet	No-Lead Brass (C46500)
2	Stem	No-Lead Brass (C46500)	5	Ball	No-Lead Brass (C46500)
3	O-ring	NBR	6	Seal Ring	PTFE

SUBMITTAL INFORMATION

- Available Sizes: 1/2", 3/4" and 1"
- Pressure Rating: 250 PSI
- Pex ends conform to ASTM F1807



NO-LEAD: The weighted average of the wetted surface of this no-lead product contacted by consumable water contains less than one quarter of one percent (0.25%) lead.



A.Y. McDonald Mfg. Co.
4800 Chavenelle Rd
Dubuque, IA 52002

Toll Free: 1-800-292-2737
sales@aymcdonald.com
aymcdonald.com

A.Y. McDonald considers the information on this assembly drawing correct when published. Item and option availability, including specifications, are subject to change without notice.

Submitted by: