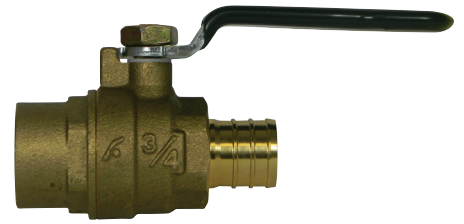


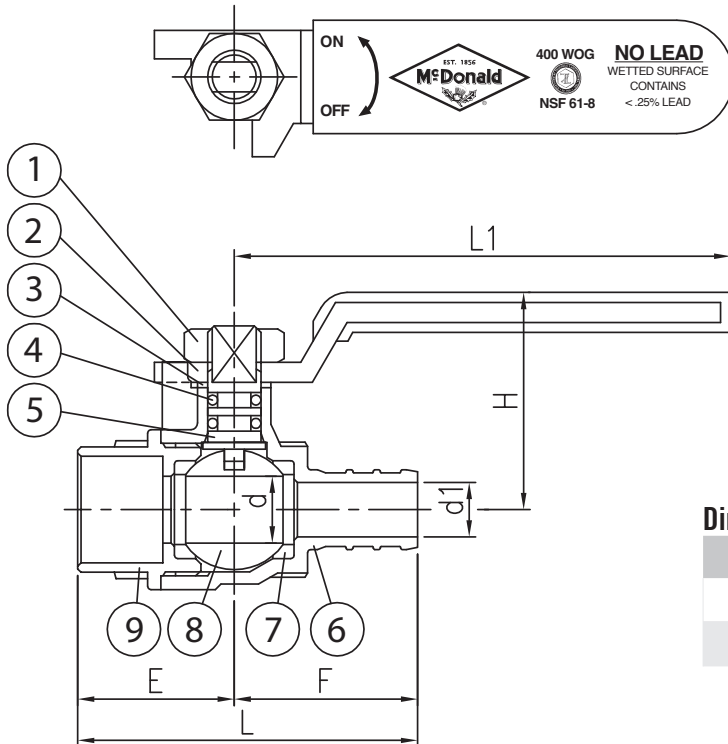
# SUBMITTAL DATA SHEET

No-Lead  
Standard Port Ball Valve – 72030PC

SWT x Pex



A.Y. McDonald Mfg. Co. Standard Port Ball Valves are constructed of heavy duty no-lead brass and can be used with a full range of liquids and gases in commercial, industrial and residential applications. This is a standard port valve with excellent flow characteristics.



## Materials

No.	Part	Material
1	Nut	Steel
2	Handle	Steel
3	Washer	Teflon
4	O-Ring	Rubber
5	Stem	No-Lead Brass
6	Body	No-Lead Brass
7	Ball Disc Packing	Teflon
8	Ball Disc	No-Lead Brass
9	End Plug	No-Lead Brass

## Dimensions

Size	L	H	d	d1	L1	E	F
1/2"	2.05	1.30	.39	.32	2.95	.94	1.10
3/4"	2.44	1.42	.59	.50	2.95	1.26	1.18

## SUBMITTAL INFORMATION

- Available Sizes: 1/2" and 3/4"
- 400 WOG
- Pex end conforms to ASTM F1807
- Blowout proof stem
- NSF/ANSI 61-8 & NSF/ANSI 372

NO-LEAD: The weighted average of the wetted surface of this no-lead product contacted by consumable water contains less than one quarter of one percent (0.25%) lead.



**A.Y. McDonald Mfg. Co.**  
4800 Chavenelle Rd  
Dubuque, IA 52002

**Toll Free: 1-800-292-2737**  
sales@aymcdonald.com  
aymcdonald.com

A.Y. McDonald considers the information on this assembly drawing correct when published. Item and option availability, including specifications, are subject to change without notice.

**Submitted by:**