

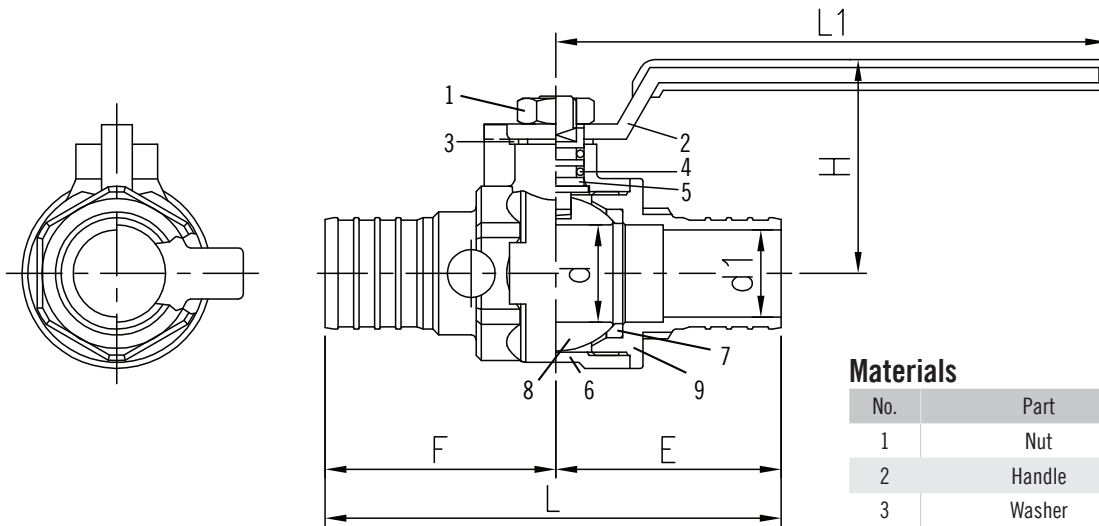
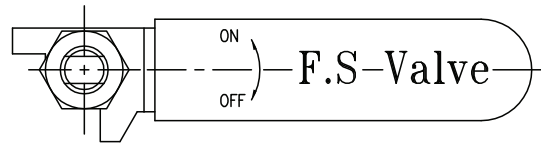
# SUBMITTAL DATA SHEET

No-Lead  
Standard Port Ball Valve with Drain - 72033P

PEX x PEX



A.Y. McDonald Mfg. Co. No-Lead Ball Valves are constructed from heavy duty no-lead forged brass and can be used with a full range of liquids and gases in commercial, industrial, and residential applications. This is a standard port valve with excellent flow characteristics.



## Dimensions

Size	L	E	F	d	d1	H	L1
1/2"	2.48	1.38	1.10	0.39	0.32	1.30	2.95
3/4"	2.64	1.46	1.18	0.50	0.50	1.42	2.95

## Materials

No.	Part	Material
1	Nut	Steel
2	Handle	Steel
3	Washer	Teflon
4	O-Ring	Rubber
5	Stem	No-Lead Brass
6	Body	No-Lead Brass
7	Ball Disc Packing	Teflon
8	Ball Disc	No-Lead Brass
9	End Plug	No-Lead Brass

## SUBMITTAL INFORMATION

- Available Sizes: 1/2" and 3/4"
- 400 WOG
- 150 WSP
- Blowout proof stem
- Pex ends conform to ASTM F1807
- NSF/ANSI/CAN 61 & 372



NO-LEAD: The weighted average of the wetted surface of this no-lead product contacted by consumable water contains less than one quarter of one percent (0.25%) lead.



**A.Y. McDonald Mfg. Co.**  
4800 Chavenelle Rd  
Dubuque, IA 52002

**Toll Free: 1-800-292-2737**  
sales@aymcdonald.com  
aymcdonald.com

A.Y. McDonald considers the information on this assembly drawing correct when published. Item and option availability, including specifications, are subject to change without notice.

Submitted by: