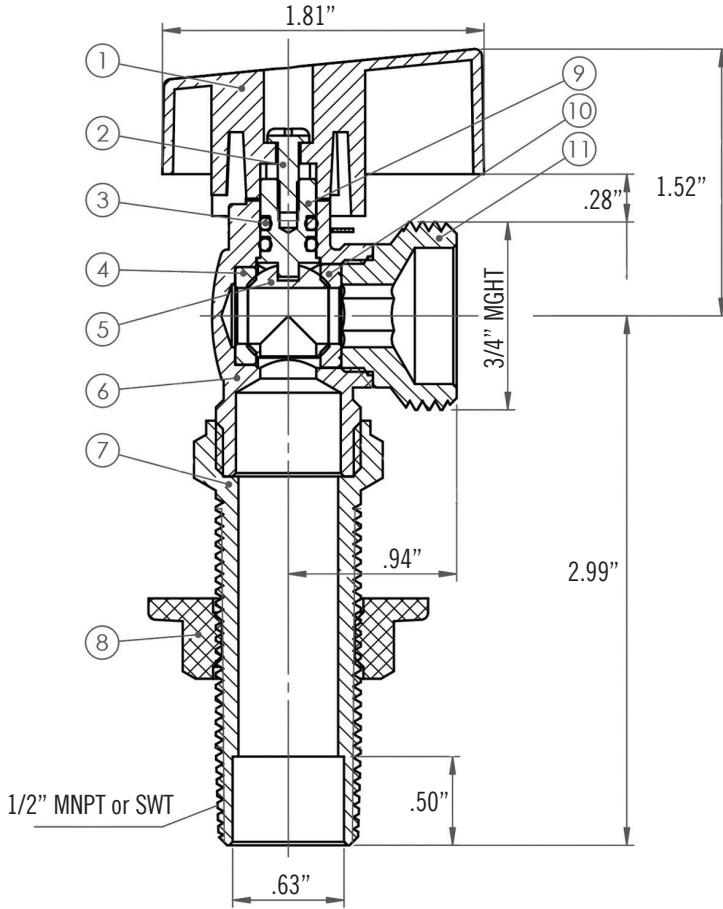


SUBMITTAL DATA SHEET

No-Lead
 Long Washing Machine Valves – 72082WSLR & 72082WSLB
 MNPT or SWT x MGHT



A.Y. McDonald Mfg. Co. No-Lead Quarter Turn Supply Stops are fully certified to all applicable standards. The Ball Valve design allows for ease of operation and positive shut-off and is ideal for residential and commercial applications. Each valve is constructed of heavy duty chrome plated brass.



Materials

No.	Part	Material
1	Handle	Aluminum
2	Screw	Stainless-Steel (SS304)
3	O-Ring	EPDM
4	Seal Ring	PTFE
5	Ball	No-Lead Brass (C46500)
6	Body	No-Lead Brass (C46500)
7	Adaptor	No-Lead Brass (C46500)
8	Lock Nut	POM
9	Stem	No-Lead Brass (C69300)
10	Seal Ring	PTFE
11	Bonnet	No-Lead Brass (C46500)

SUBMITTAL INFORMATION

- Quarter Turn Operation
- Available Size: 1/2" x 1/2"
- 250 PSI
- Plastic nut included
- 72082WSLR = Red handle, which indicates the inlet is the hot water supply
- 72082WSLB = Blue handle, which indicates the inlet is the cold water supply
- For use with washing machine outlet boxes



NO-LEAD: The weighted average of the wetted surface of this no-lead product contacted by consumable water contains less than one quarter of one percent (0.25%) lead.



A.Y. McDonald Mfg. Co.
 4800 Chavenelle Rd
 Dubuque, IA 52002

Toll Free: 1-800-292-2737
 sales@aymcdonald.com
 aymcdonald.com

A.Y. McDonald considers the information on this assembly drawing correct when published. Item and option availability, including specifications, are subject to change without notice.

Submitted by: